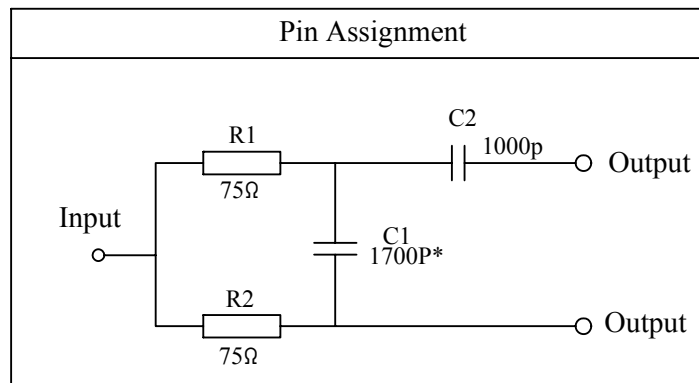
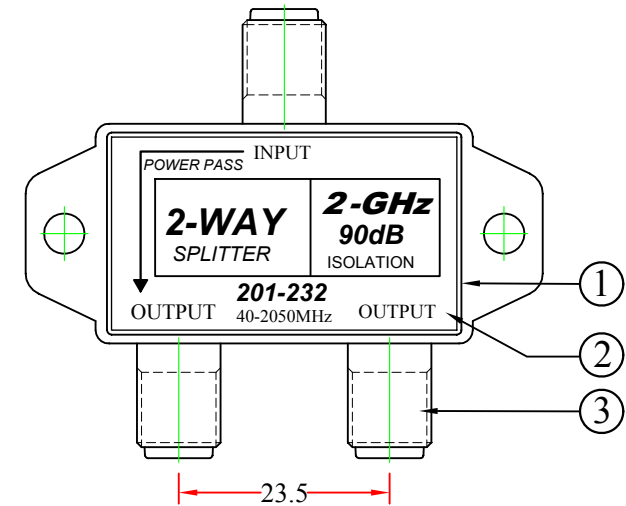
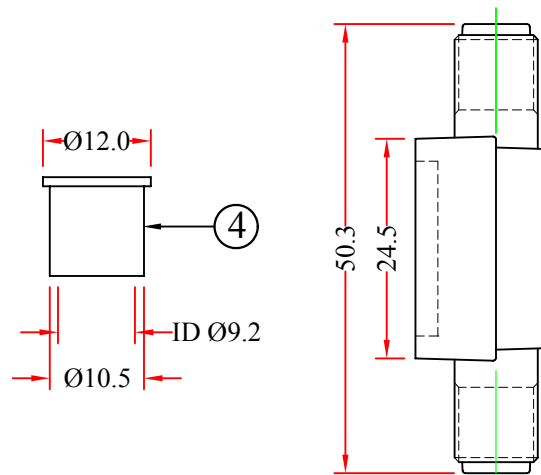


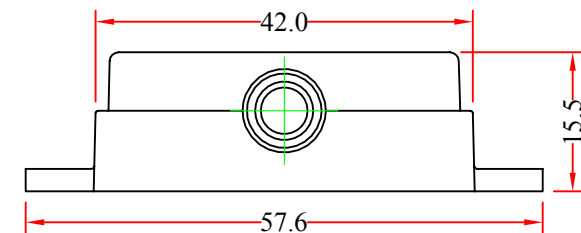
RoHS

REV.	DESCRIPTION	DATE
A		09-2013

Electrical Specifications		
Parameter	900-1750MHz	1750-2400MHz
Insertion Loss	5.2dB max	6dB max
Input Return Loss	8dB min	5dB min
Output Return Loss	8dB min	5dB min
EMI Shielding	90dB min	90dB min
DC Power	One Port Passing	



Specifications	
Parameter	Property
Port Torque	60 inch · lbs
Lug Torque	35 inch · lbs
Coupling Capacitor	6KV Surge Protection
Tolerances	±0.1mm



5	Mounting Screws,Steel / Nickel Plated
4	PVC CAP,White
3	F-Connector,ZnCr2 Plated, ³ / ₈ -32UNEF-2A
2	Back Plate,Steel / Tin Plated,Thickness 1mm,Epoxy
1	Case,Zinc-Alloy / ZnCr2 Plated
NO.	SPECIFICATIONS
	BOM LIST

ITEM NUMBER	201-232	DRAWER	JL
TITLE	F-pin Coaxial Splitter, 2 way, 2 GHz 90 dB, DC Passing on One Port	CHECKED	
MATERIAL	SCALE	APPROVED	
REV.	A	UNIT	MM
DRAWING NO:			
		