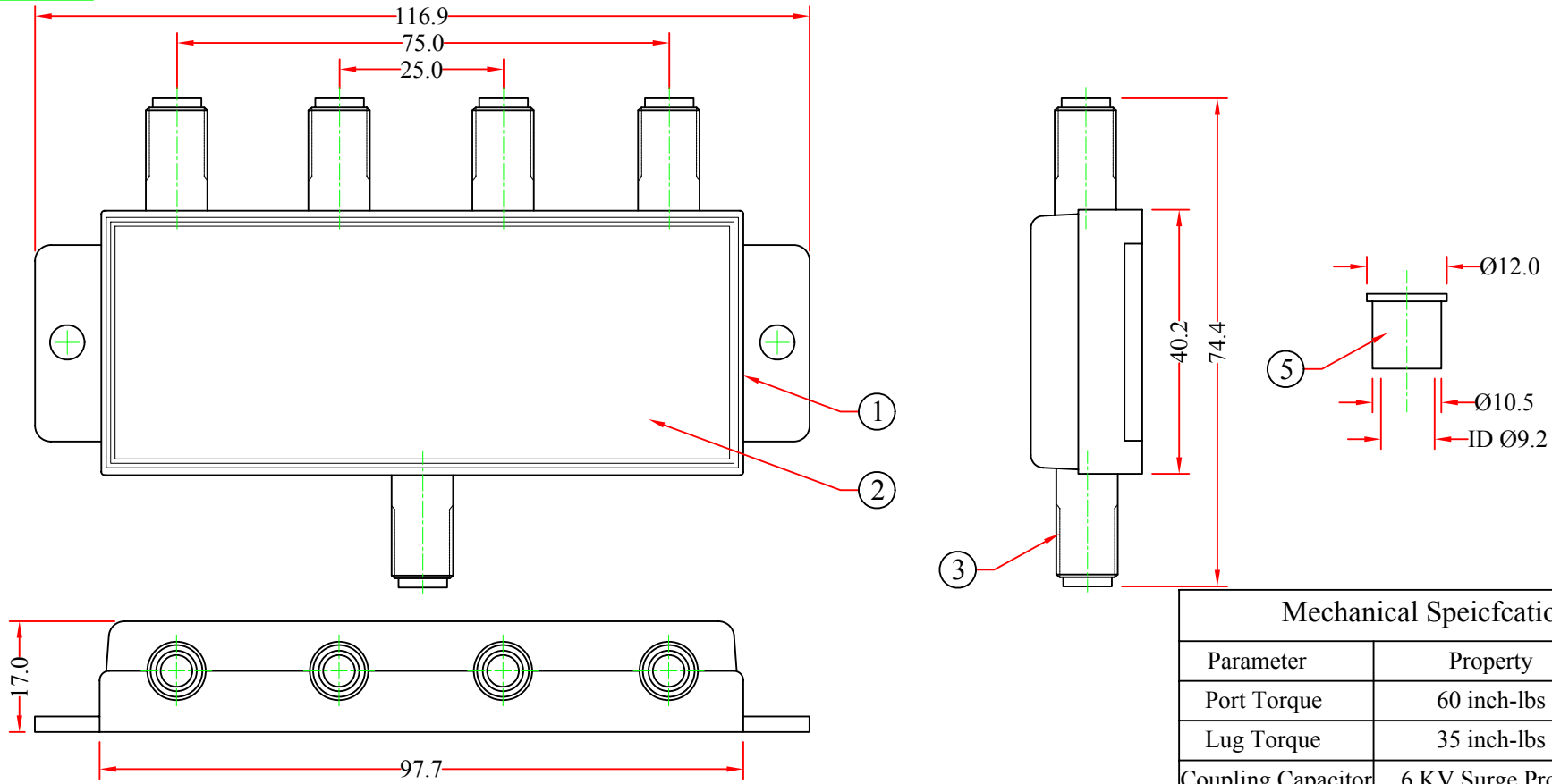


RoHS

REV.	DESCRIPTION	DATE
A		02-2014



Mechanical Specifications	
Parameter	Property
Port Torque	60 inch-lbs
Lug Torque	35 inch-lbs
Coupling Capacitor	6 KV Surge Protection

5	Cap, PVC/ White
4	Mounting Screws,Steel / Nickel Plated,Not Shown
3	F-Connector,ZnCr2 Plated, 3/8"-32UNEF-2A
2	Back Plate,Steel / Tin Plated,Thickness 1.0mm, Epoxy
1	Case, ZnCr2 Plated
NO.	SPECIFICATIONS
	BOM LIST

ITEM NUMBER	201-234			DRAWER	JL
TITLE	F-pin Coaxial Splitter, 4 way, 2 GHz 90 dB, DC Passing on One Port			CHECKED	
MATERIAL		SCALE		APPROVED	
REV.	A	UNIT	MM		
DRAWING NO:				 888-212-8295	