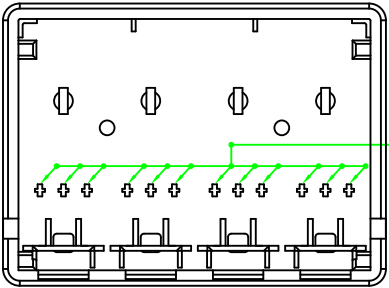
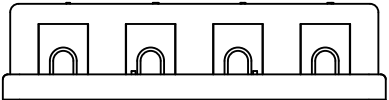
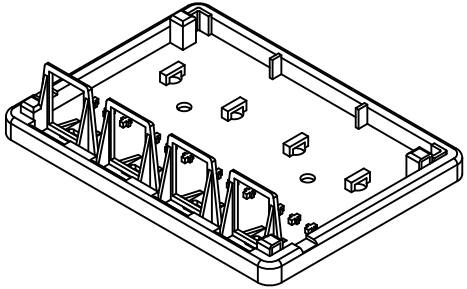
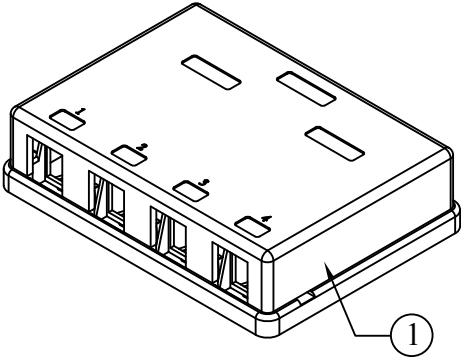
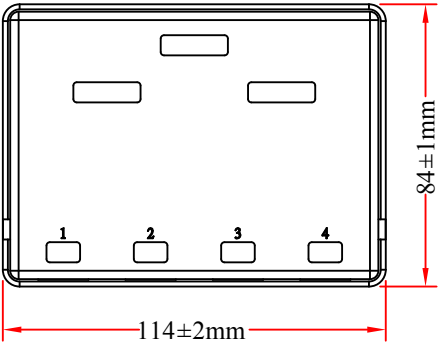
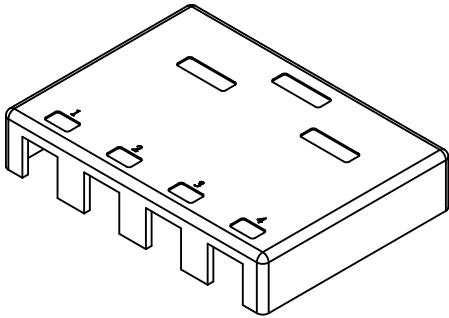


RoHS

REV.	DESCRIPTION	DATE
A		10-2012



[Pruneable Design]
Prune the pillar height
to suit keystone base
if necessary



29.5±0.5mm

Operation Temperature : -40 □ ~ +70 □

ITEM NUMBER	300-3144E			DRAWER	JL
TITLE	4 Hole Blank Surface Mount Box for Keystone, White			CHECKED	
MATERIAL		SCALE		APPROVED	
REV.	A	UNIT	INCH		
DRAWING NO:				 888-212-8295.com	

2	
1	Body : Fireproof ABS UL-94V0,White In Color
NO.	SPECIFICATIONS
	BOM LIST