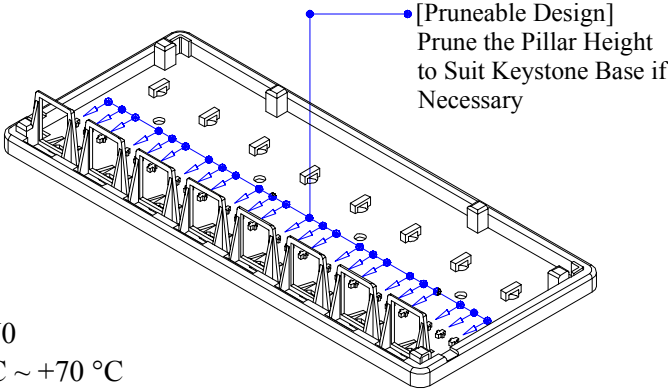
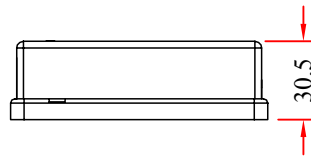
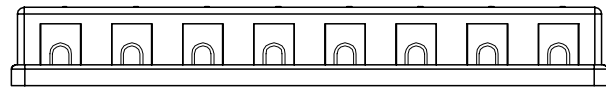
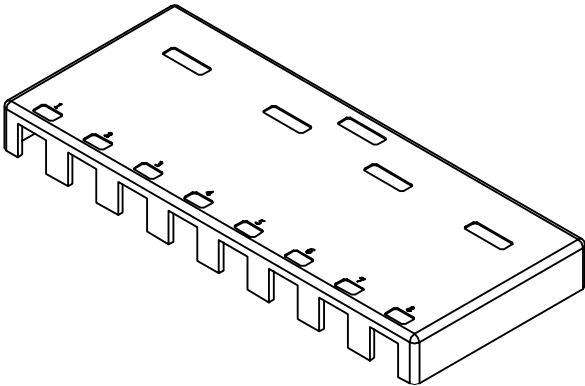
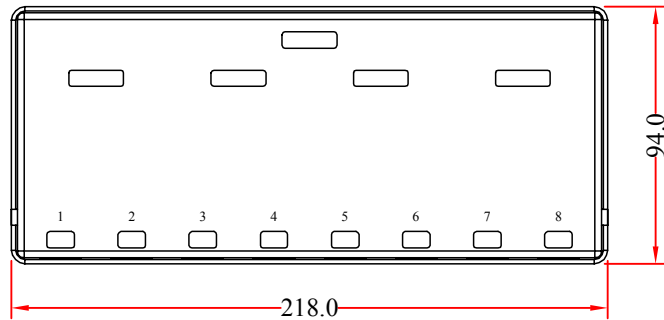


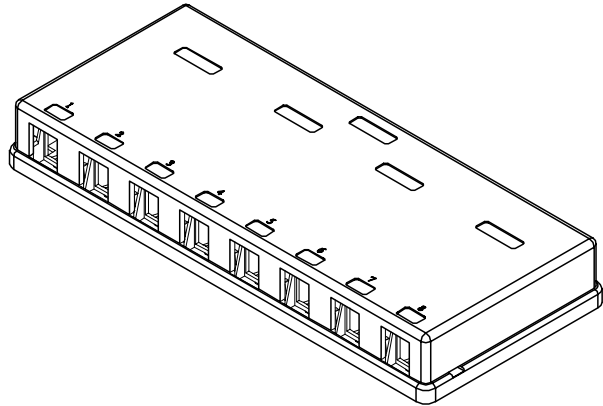
RoHS

REV.	DESCRIPTION	DATE
A		02-2014



Materials:

Body : Fireproof ABS UL-94V0
 Operation Temperature : -40 °C ~ +70 °C



ITEM NUMBER	300-3148E			DRAWER	JL
TITLE	Blank Surface Mount Box for Keystone, 8 Hole, White			CHECKED	
MATERIAL		SCALE		APPROVED	
REV.	A	UNIT	MM		
DRAWING NO:				 888-212-8295	