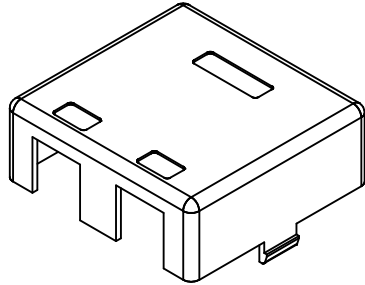
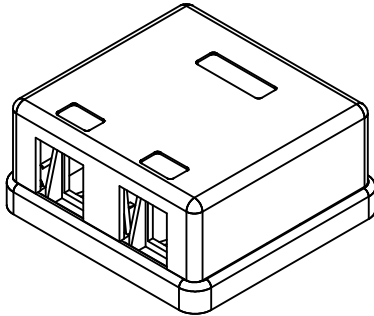
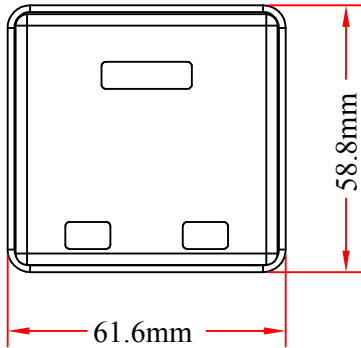
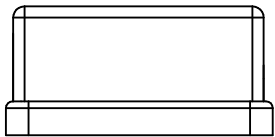
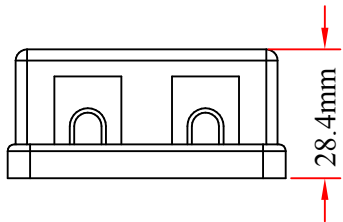
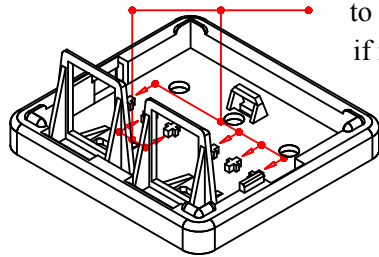


REV.	DESCRIPTION	DATE
A		08-2012
B		

RoHS  
Compliant



[Pruneable Design]  
Prune the pillar height to suit keystone base if necessary



ITEM NUMBER	300-314DE			DRAWER	JL
TITLE	Duplex Blank Surface Mount Box for Keystone, White			CHECKED	
MATERIAL		SCALE		APPROVED	
REV.	A	UNIT	INCH		
DRAWING NO:				 888-212-8295.com	
NO.	SPECIFICATIONS				
	BOM LIST				