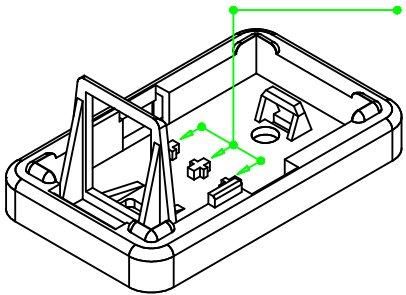
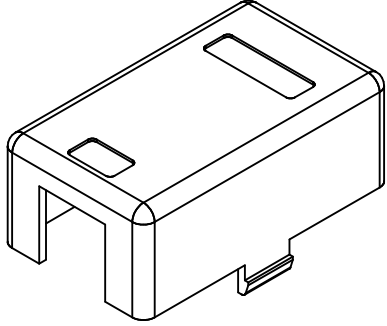
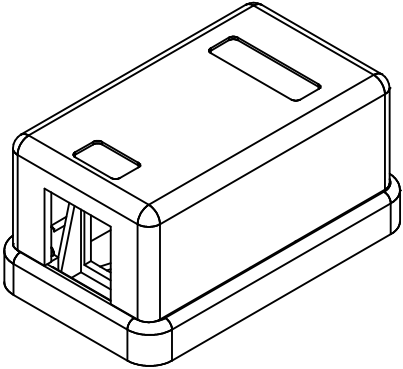
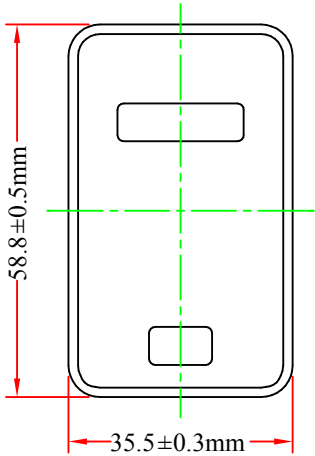
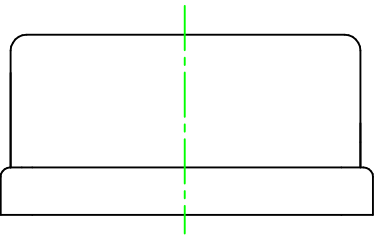
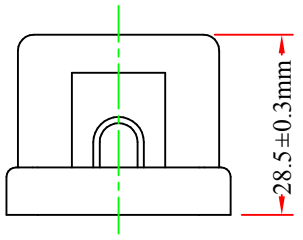


RoHS

| REV. | DESCRIPTION | DATE |
|------|-------------|---------|
| A | | 08-2012 |
| | | |



[Pruneable Design]
Prune the pillar height to suit keystone base if necessary



Materials:
Plastic Case: Fireproof ABS UL 94V-0

| | | | | | |
|-------------|--|-------|------|----------|----|
| ITEM NUMBER | 300-314SE | | | DRAWER | JL |
| TITLE | Single Blank Surface Mount Box for Keystone, White | | | CHECKED | |
| | | | | APPROVED | |
| MATERIAL | | SCALE | | | |
| REV. | A | UNIT | INCH | | |
| DRAWING NO: | | | | | |
| | | | | | |

| | |
|-----|----------------|
| NO. | SPECIFICATIONS |
| | BOM LIST |