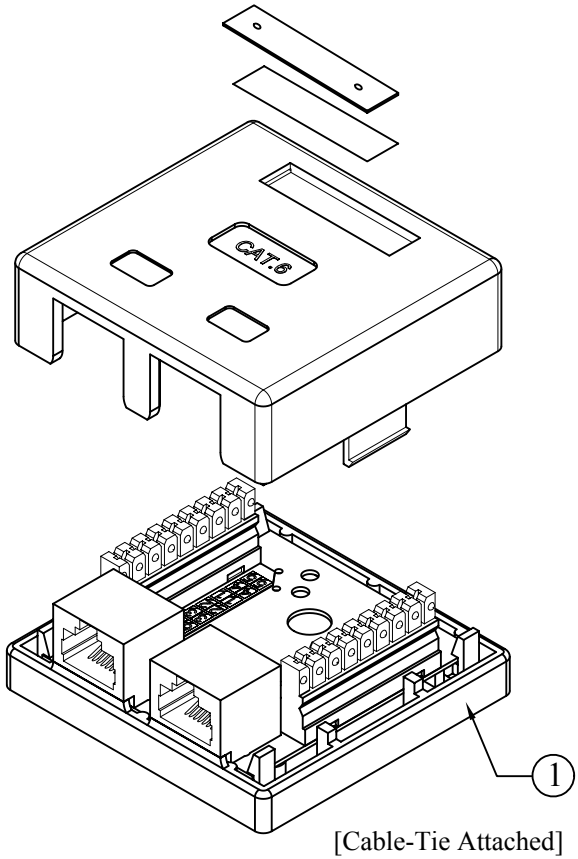
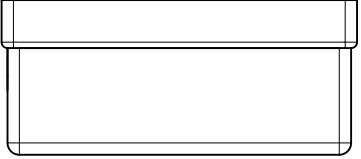


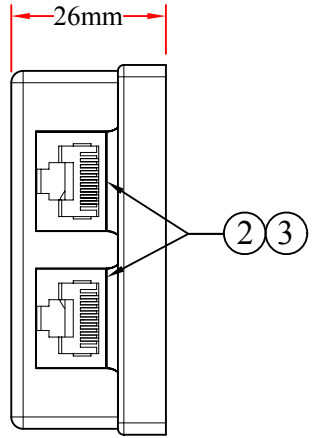
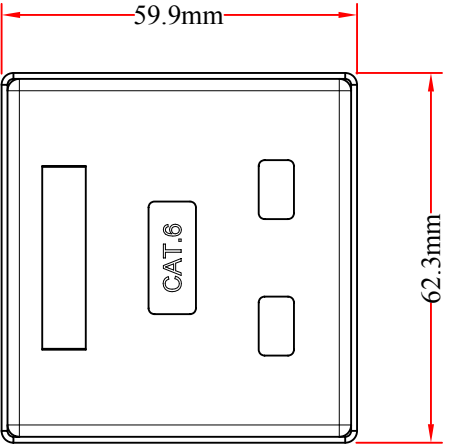
REV.	DESCRIPTION	DATE
A		12-2012



[Cable-Tie Attached]



RoHS



Meets Cat.6 EIA/TIA 568B.2-1 Standard.

Electrical Specification:
 Insulation Resistance:500M ohms(min.)
 Contact Resistance:20M ohms(max.)
 Current Rating:1.5Amps
 DC Resistance:0.1 ohm(max.)
 Withstanding Voltage:1000 VAC RMS@60Hz/1min.

Mechanical Specification:
 IDC Punch Down Cycle:Over 2500 Cycles(min.)
 RJ45 Jack Insertion Cycle:Over 2000 Cycles(min.)
 Operation Temperature:-40 to 70 degree/C

Color coding information

T568B:	T568A:
1---WH/OR	1---WH/GN
2----OR	2----GN
3---WH/GN	3---WH/OR
4----BL	4----BL
5---WH/BL	5---WH/BL
6----GN	6----OR
7---WH/BR	7---WH/BR
8----BR	8----BR

ITEM NUMBER	300-613DE			DRAWER	JL
TITLE	Cat 6 Dual Jack Surface Mount Box, Female, Unshielded			CHECKED	
MATERIAL		SCALE		APPROVED	
REV.	A	UNIT	INCH		
DRAWING NO:				 888-212-8295.com CableWholesale.com	

3	RJ45 Jack, 8P8C 50 Micro Inches Gold Plated
2	UL94V-0 Approval PCB
1	UL94V-0 Approval ABS Body,White Color
NO.	SPECIFICATIONS
BOM LIST	