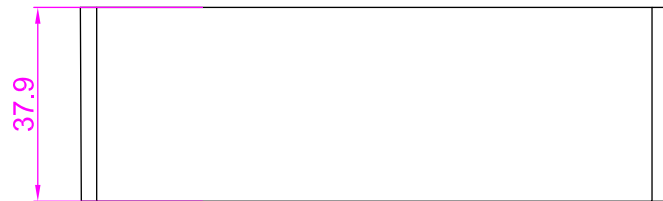
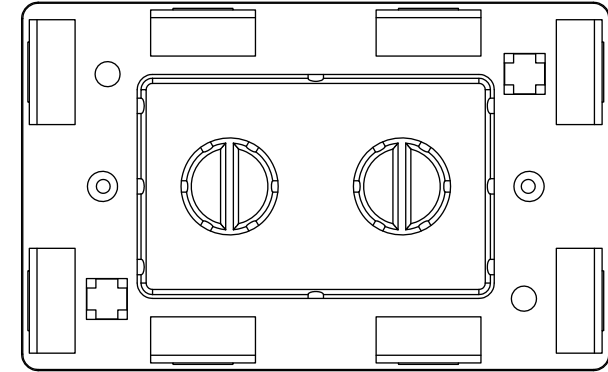
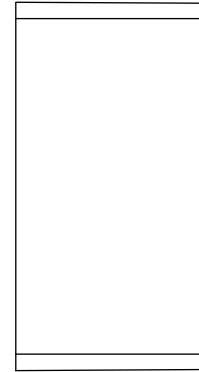
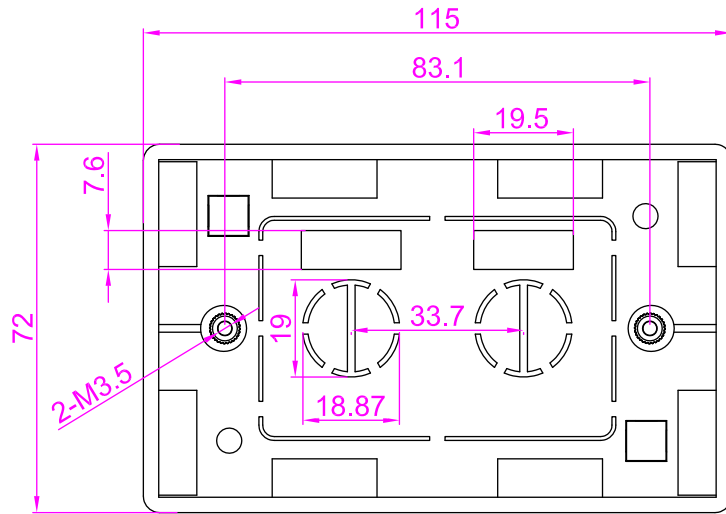


| Rev. | Description | Date    |
|------|-------------|---------|
| A    |             | 08-2019 |



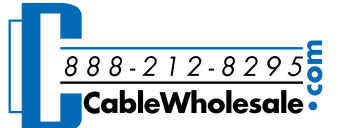
**Material:**

Faceplate Housing: ABS UL94V-0

**Physical Characteristics:**

1. Surface Finish: Polished
2. Operating Temperature Range: -10 °C to 60 °C
3. Storage Temperature Range: -40 °C to 68 °C
4. Humidity: 10%~90% RH.

RoHS

|              |   |   |
|--------------|---|---|
| Item Number: | 300-626WH   |   |
| Title:       | Surface mount box, single gang, white, includes mounting screws and double sided adhesive pad |   |
| Drawn by:    | JL  |  |
| Approved by: | MAC   |   |
| ID:          | 108   |   |

|     |                |
|-----|----------------|
| 1   |                |
| No. | Specifications |