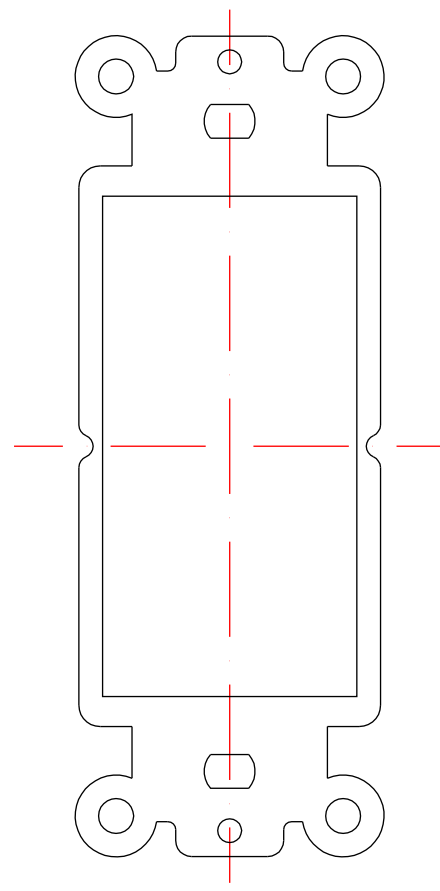
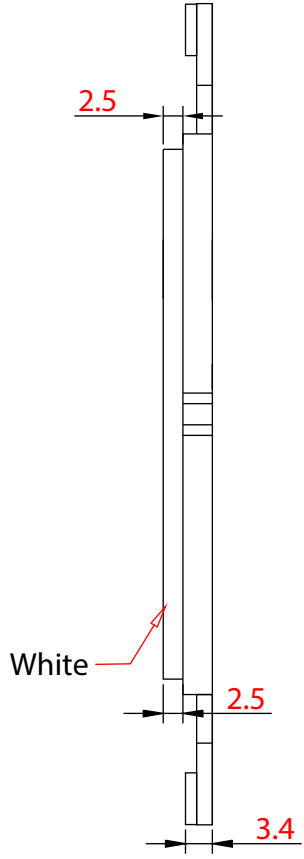
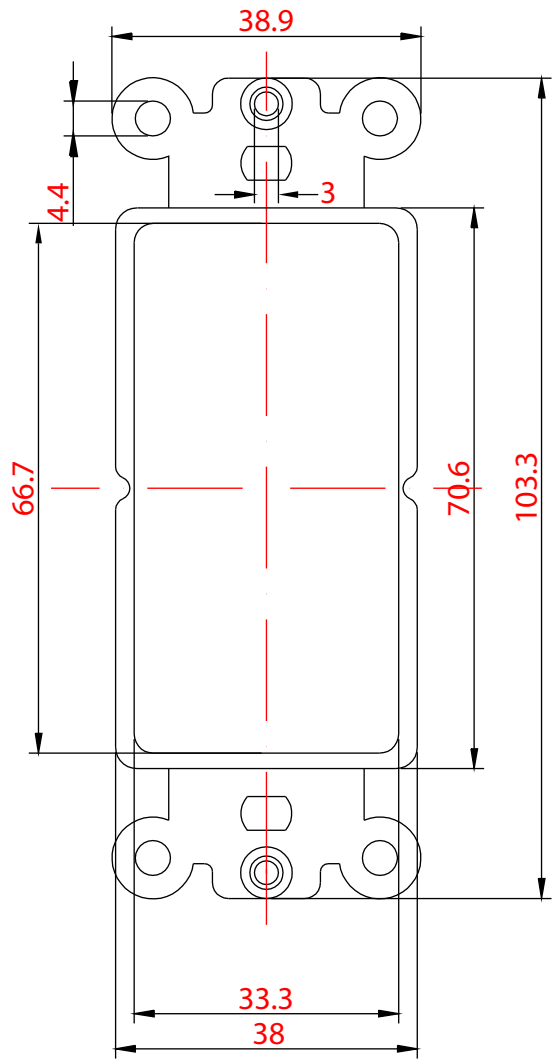
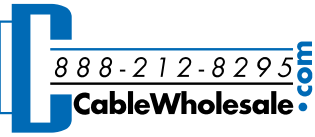


Rev.	Description	Date
A		04-2019



RoHS

Item Number:	301-1005	
Title:	Decora Wall Plate Insert, White, Blank	
Drawn by:	JL	
Approved by:	MAC	
ID:	232	

No.	Specifications
-----	----------------