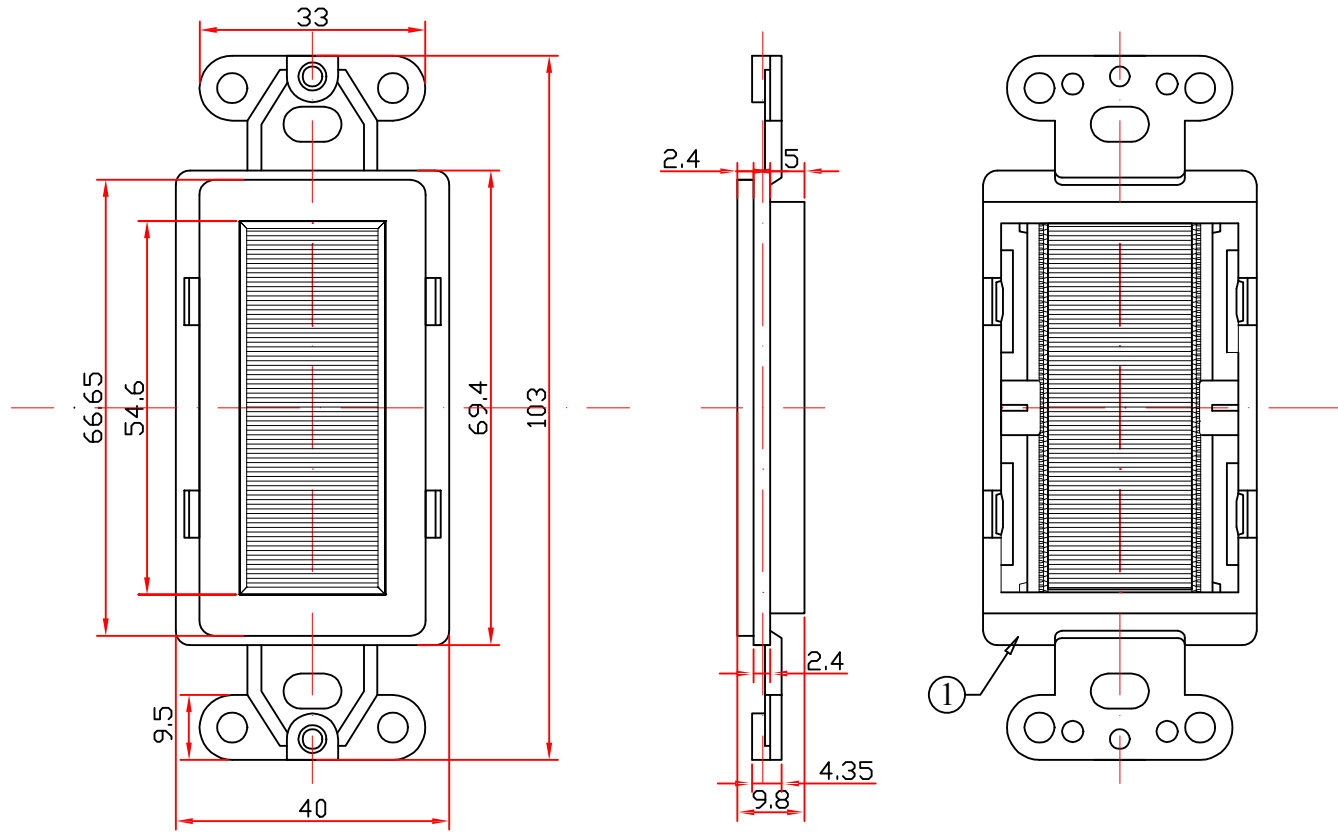


REV.	DESCRIPTION	DATE
A		01-2018



RoHS

ITEM NUMBER	301-1009			DRAWER	JL
TITLE	Decora Wall Plate Insert, White, Brush Cable Pass Through			CHECKED	
				APPROVED	
MATERIAL		SCALE			
REV.	A	UNIT	MM		
DRAWING NO:					
ID(NO.)	232				

1	White ABS Body
NO.	SPECIFICATIONS
	BOM LIST