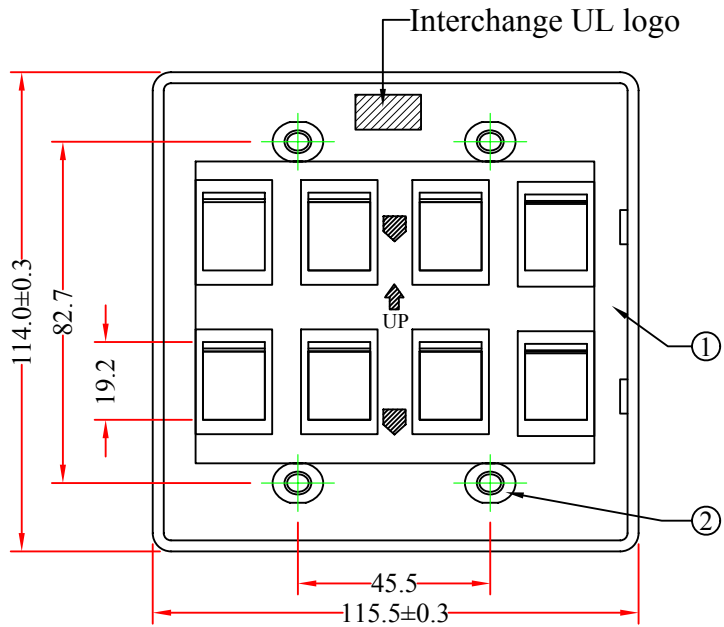
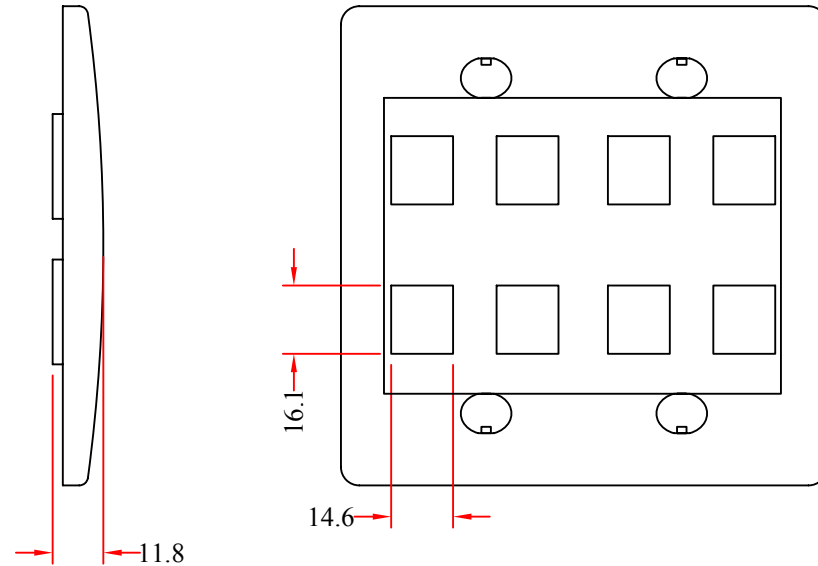


RoHS

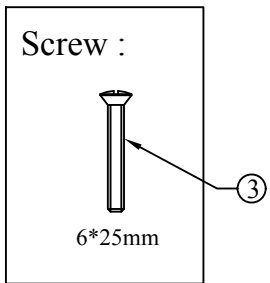
REV.	DESCRIPTION	DATE
A		11-2012



Back View



Front View



3	Screw:6# x L 25mm
2	Screw Cap: ABS UL 94-0
1	Body: ABS UL 94V-0
NO.	SPECIFICATIONS
	BOM LIST

ITEM NUMBER	301-8K-W			DRAWER	JL
TITLE	Keystone Wall Plate, White, 8 Hole, Dual Gang			CHECKED	
				APPROVED	
MATERIAL		SCALE		⊕	◁
REV.	A	UNIT	MM		
DRAWING NO:				 888-212-8295.com CableWholesale.com	