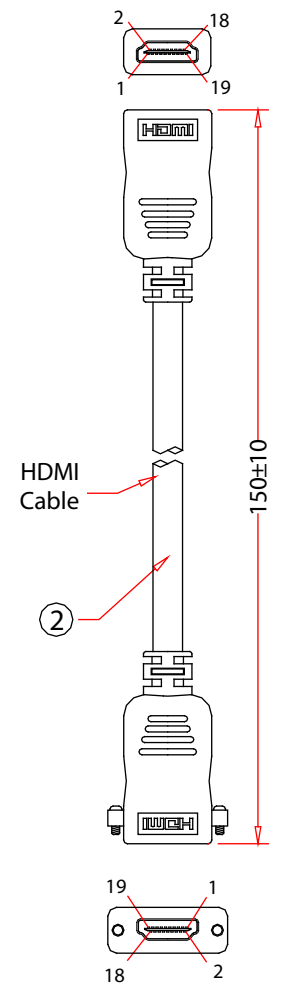
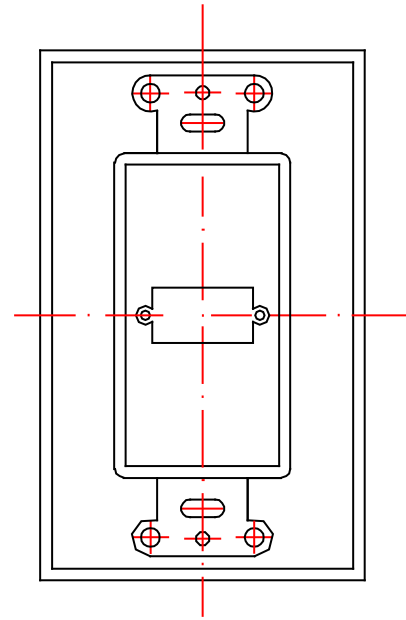
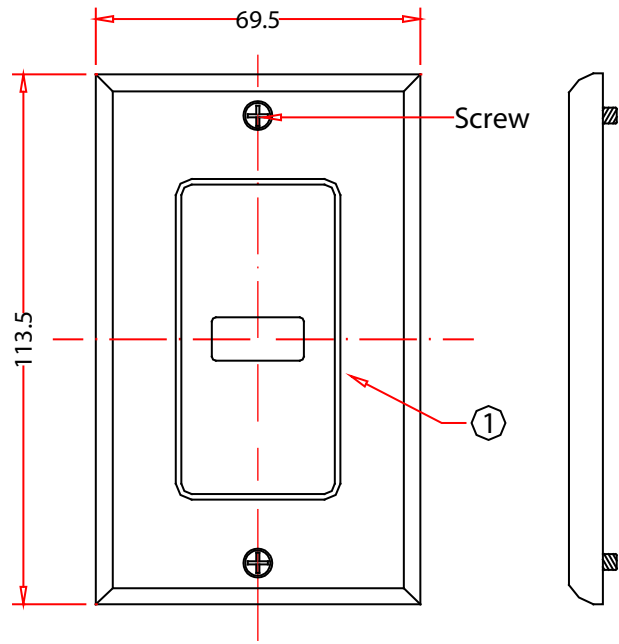
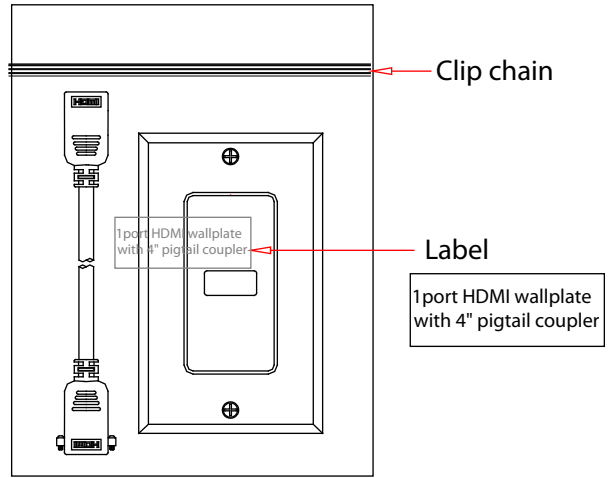


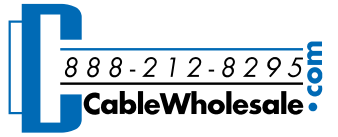
Rev.	Description	Date
A		05-2021

RoHS



Packing:



Item Number:	301-HD201	
Title:	Wall Plate, White, Single HDMI Port with Strain Relief, HDMI Female	
Drawn by:	JL	
Approved by:	MAC	
ID:	108	

No.	Specifications
2	HDMI Cable, HDMI F-F, 30AWG OD:6.0mm , L:4" Black PVC Jacket
1	White Wall Plate