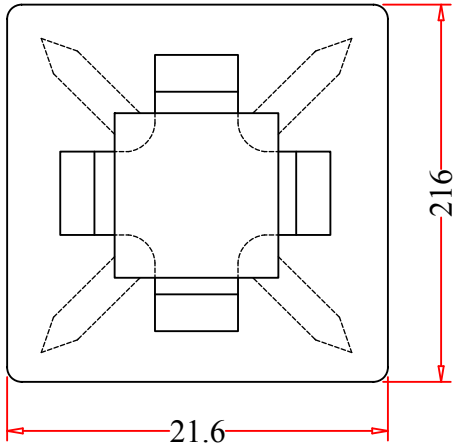
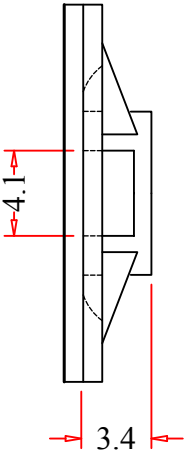


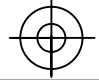
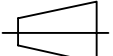
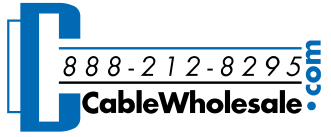
REV.	DESCRIPTION	DATE
A		04-2015

RoHS



Features

1. Material: UL Approved Nylon 66/94V-2 (Backed with Adhesive Type)
2. Self-Adhesive Tie Mount is designed to support light weight wire bundles when properly applied on any clean smooth, grease-free surface.
3. For heavy support, mounting hole is provided for screws.
4. Simply peel off backing paper and apply mount to surface.
5. Then the cable ties can be inserted to secure wire bundles.
6. Quantity: 100pcs per bag

ITEM NUMBER	30CV-14100			DRAWER	JL
TITLE	Adhesive Surface Mount, 7/8 inch Square 100 Pieces			CHECKED	
				APPROVED	
MATERIAL		SCALE		 	
REV.	A	UNIT	MM		
DRAWING NO:					
ID(NO.)	19				