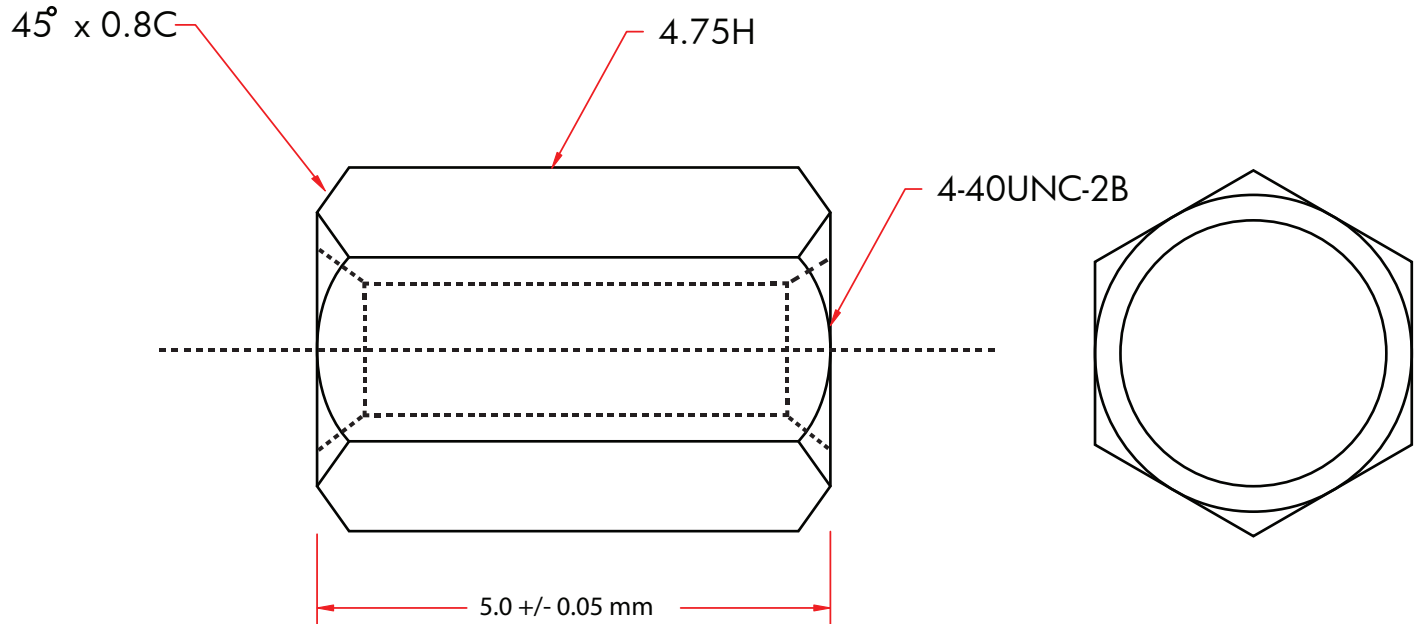


REV.	DESCRIPTION	DATE
A		
B		10-2009



ITEM NUMBER	30D1-02440		DRAWER	LIBRA
TITLE	Hex Nut, # 4 - 40, (100 Pcs Per Bag)		CHECKED	
MATERIAL		SCALE	APPROVED	
REV.	A	UNIT	INCH	

3	
2	
1	
NO.	SPECIFICATIONS
	BOM LIST

