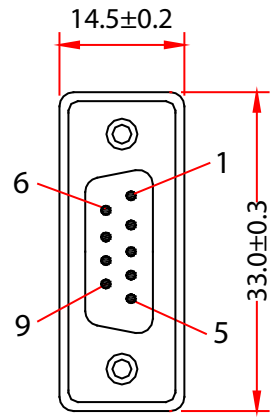
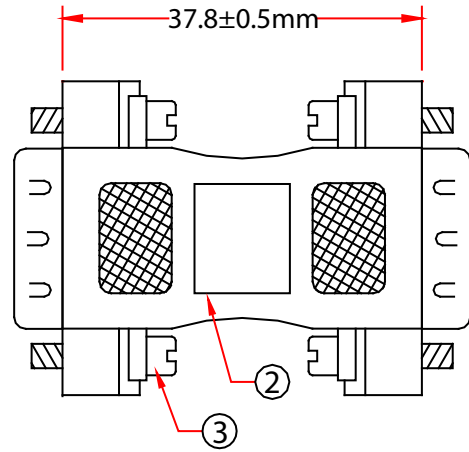


Rev.	Description	Date
A		04-2019

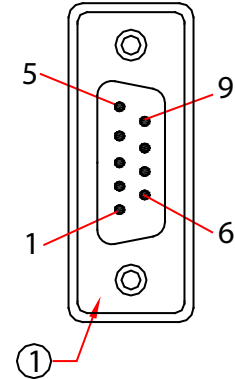
P1



DB9 Male



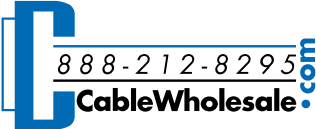
P2



DB9 Male

Pin Assignment	
P1	P2
2	3
3	2
4	1
	6
5	5
1	4
6	
7	8
8	7
Shell	Shell

RoHS

4		Item Number:	30D1-18100	
3		Title:	DB9 Male / DB9 Male, Null Modem Adaptor / Mold	
2		Drawn by:	JL	
1		Approved by:	MAC	
No.		ID:	1	
Specifications				