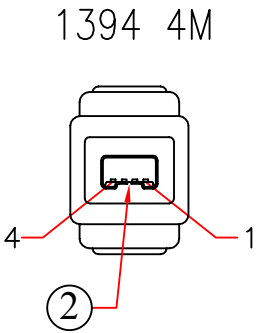
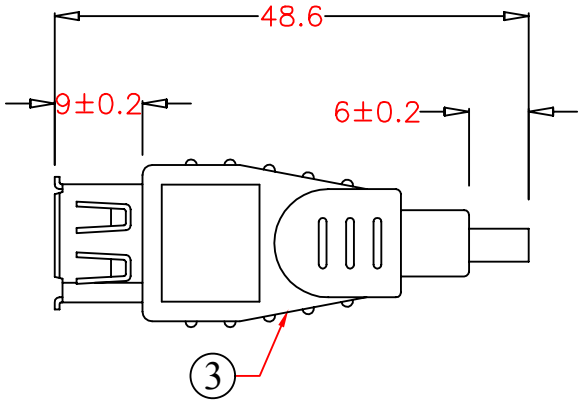
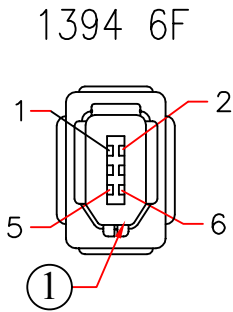
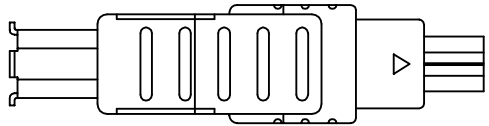


REV.	DESCRIPTION	DATE
A		01-2014

RoHS



PIN ASSIGNMENT	
1394 6F	1394 4M
3	1
4	2
5	3
6	4
2	SHIELD
SHIELD	SHIELD

ITEM NUMBER	30E3-01300		DRAWER	JL
TITLE	Firewire Adapter, IEEE-1394a 6 Pin Female / 4 Pin Male		CHECKED	
MATERIAL	SCALE		APPROVED	
REV.	A	UNIT	MM	
DRAWING NO:			 888-212-8295.com CableWholesale.com	

3	Black Molded PVC Hood
2	IEEE 1394 4Pin Female Connector
1	IEEE 1394 6Pin Female Connector
NO.	SPECIFICATIONS
BOM LIST	