

Rev.	Description	Date
A		04-2021

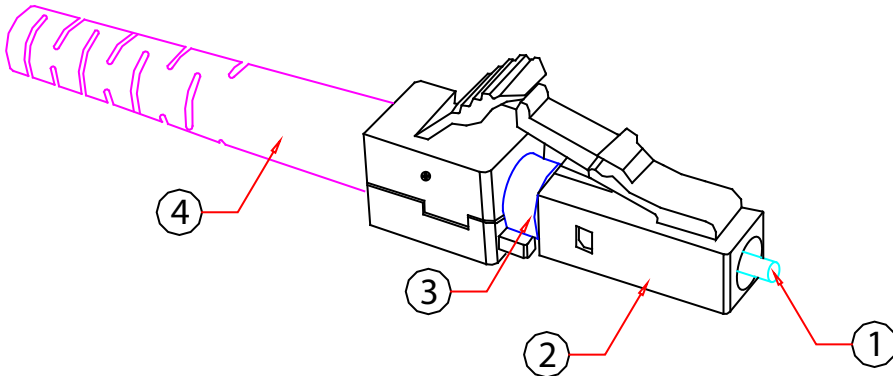
**Features**

- 900um, 1.6mm, 2.0mm, 3.0mm Cables Supported
- Fully-Compliant with EIA/TIA 604 Telcordia GR-326 Standards
- Unique Connector Design for Easy Termination

**Applications**

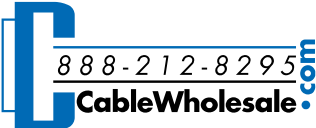
- Local Area Networks
- Fast Ethernet
- ATM Networks
- Fiber Channel
- Optical Transport
- Optical Access Networks

RoHS



Specifications	Multimode
Operating Temperature	-40 °C to +85 °C
Back Relection	-25 dB Typical
Repeatability	< 0.2 dB
Insertion Loss	< 0.4 dB
Cable Retention	> 15 lbs

PART NO.	COLORS
30F1-223HD	White Boot
30F1-228HD	Aqua Boot

		Item Number:	30F1-223 & 8HD	
		Title:	LC OM3/OM4 Multimode Zirconia Ferrule Epoxy Connector 3.0mm, 100 Pack	
		Drawn by:	JL	
		Approved by:	MAC	
		ID:	269	
No.	Specifications			
4	Boot: Thermoplastic Rubber			
3	Tube: Stainless Steel			
2	Body: ABS Plastic			
1	Ferrule: Ceramic			