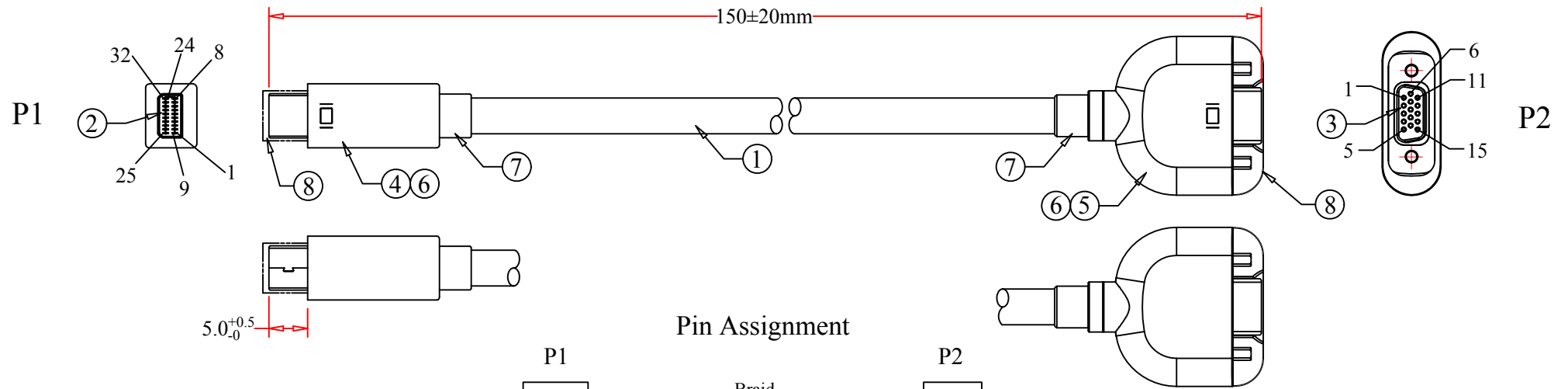
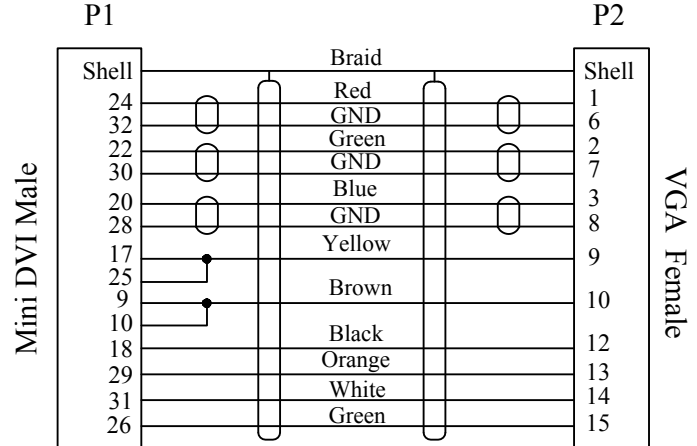


REV.	DESCRIPTION	DATE
A		12-2014



RoHS

**Pin Assignment**



8	Transparent Dust Cover
7	Outer Molded PVC / White
6	Inner Molded LDPE
5	Plastic Assembly Shell for VGA (White)
4	Plastic Assembly Shell for Mini DVI (White)
3	VGA Female, Nickel Plated
2	Mini DVI Male, Nickel Plated
1	UL1354 [32AWG*1C+S]*3COAX+30AWG*6C+AL+B, Jacket PVC White ,OD:5.3mm
NO.	SPECIFICATIONS

BOM LIST

ITEM NUMBER	30H1-55000			DRAWER	JL
TITLE	Mini-DVI to VGA Adapter Cable, Mini-DVI Male to HD15 Female, 6 inch			CHECKED	
				APPROVED	
MATERIAL		SCALE			
REV.	A	UNIT	MM		
DRAWING NO:					

