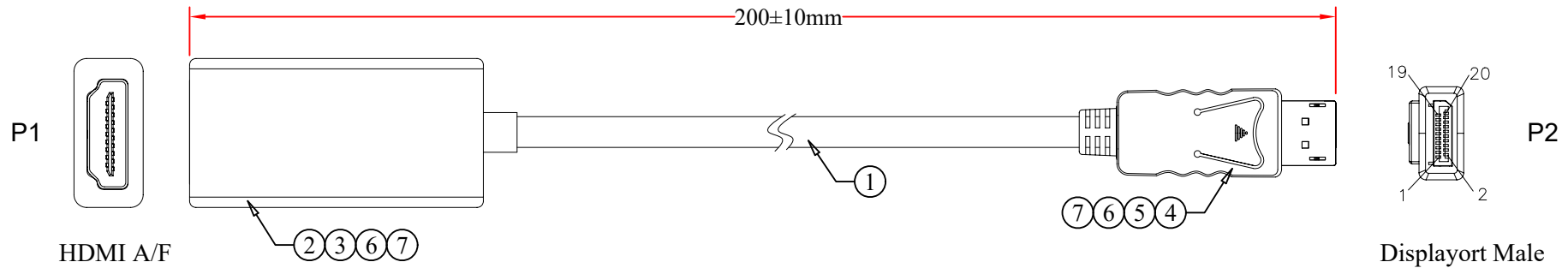
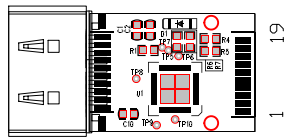
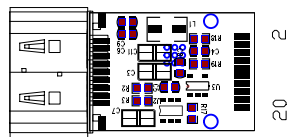


REV.	DESCRIPTION	DATE
A		07-2016



**Pin Assignment**

SHELL		Copper Foil		SHELL	
1	White	1	White	1	DP
3	Brown	3	Brown	3	DP
2	GND	2	GND	2	DP
4	White	4	Blue	4	DP
6	Blue	6	GND	6	DP
5	GND	5	White	5	DP
7	White	7	Green	7	DP
9	Green	9	GND	9	DP
8	GND	8	White	8	DP
10	White	10	Red	10	DP
12	Red	12	GND	12	DP
11	GND	11	Yellow	11	DP
13	Yellow	13	Black	13	DP
14	Black	14	White	14	DP
15	White	15	Yellow	15	DP
17	Yellow	17	GND	17	DP
16	GND	16	Red	16	DP
18	Red	18	White	18	DP
19	White	19	Orange	19	DP
20	Orange	20		20	DP



PCB'A

RoHS

**NOTES:**

1. Electrical Test:  
<1>. 100% Open Shor & Miss Wire Test.
2. 3840\*2160P Resolution Ratio

7	White Molded PVC	ITEM NUMBER	30H1-61060			DRAWER	JL
6	Inner Molding, LD-PE(RoHs)		TITLE	DisplayPort Male to HDMI Female A Type			CHECKED
5	DP(M) White Shell,Bottom / Top ABS Case	MATERIAL			SCALE		APPROVED
4	Displayport Male, Nickel Plated		REV.	A	UNIT	MM	
3	HDMI A/F White Shell,Bottom / Top ABS Case	DRAWING NO:				 888-212-8295.com <b>CableWholesale.com</b>	
2	DP TO HDMI A/F(IC:PS8402)PCB'A,Nickel Plated		ID(NO.)	257			
1	UL20276(32AWG*1P+D+AL/MY)*5C+32AWG*5C+AL+D+BRAID(AMA) OD:5.5±0.2mm,White PVC Jacket						
NO.	SPECIFICATIONS						
	BOM LIST						