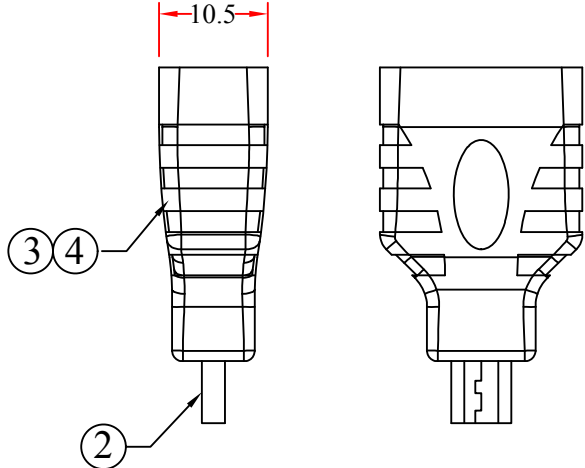
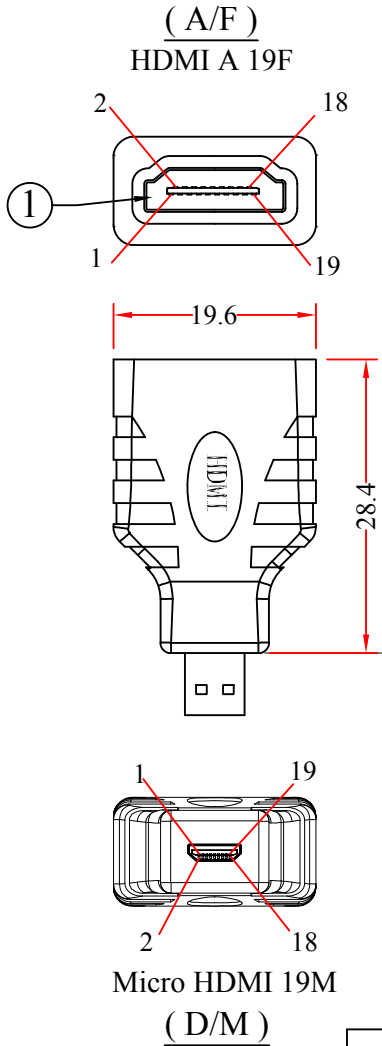


RoHS

REV.	DESCRIPTION	DATE
A		02-2018

Pin Assignment		
D/M		A/F
1	_____	19
2	_____	14
3	_____	1
4	_____	2
5	_____	3
6	_____	4
7	_____	5
8	_____	6
9	_____	7
10	_____	8
11	_____	9
12	_____	10
13	_____	11
14	_____	12
15	_____	13
16	_____	17
17	_____	15
18	_____	16
19	_____	18
Shield	_____	Shield



4	PCB
3	Molded PVC Black
2	Micro HDMI(Type D) 19Pin Male ,Contacts: Gold
1	HDMI A 19Pin Female ,Contacts: Gold
NO.	SPECIFICATIONS
BOM LIST	

ITEM NUMBER	30HD-31500			DRAWER	JL
TITLE	Micro HDMI to HDMI Adapter Micro HDMI (Type D) Male to HDMI Female			CHECKED	
MATERIAL		SCALE		APPROVED	
REV.	A	UNIT	MM		
DRAWING NO:				 888-212-8295.com CableWholesale.com	
ID(NO.)	1				