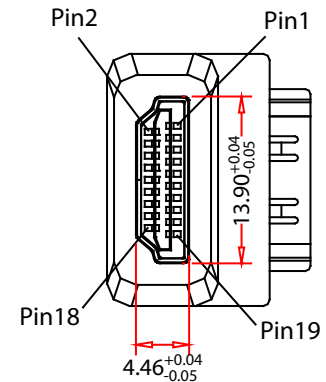
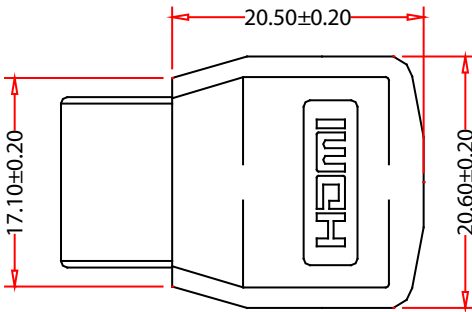
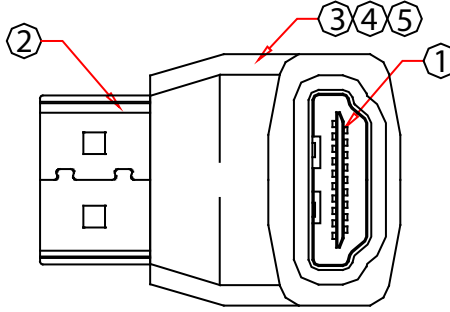
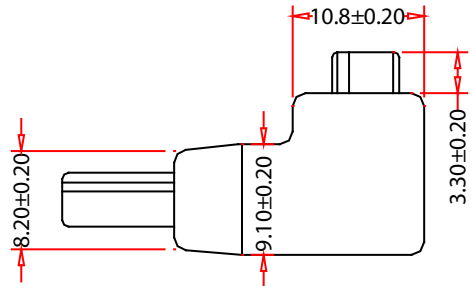
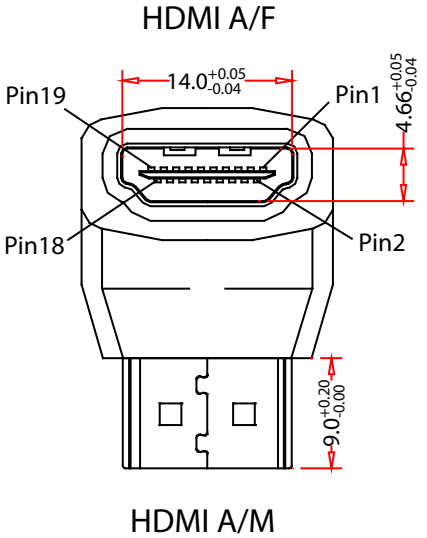


RoHS

Rev.	Description	Date
A		03-2021

Pin Assignment		
HDMI A/M		HDMI A/F
1	_____	1
2	_____	2
3	_____	3
4	_____	4
5	_____	5
6	_____	6
7	_____	7
8	_____	8
9	_____	9
10	_____	10
11	_____	11
12	_____	12
13	_____	13
14	_____	14
15	_____	15
16	_____	16
17	_____	17
18	_____	18
19	_____	19
Shell	_____	Shell

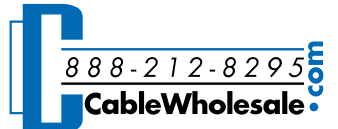


Specifications:

1. Voltage Resistance: 300V DC Min.
2. Contact Impedance: 3 Ohm Max.
3. The Insulation Resistance: 10M Ohm Min.
4. 100% Open Short & Miswire Test.

Packing:

1. 1PCS/PE Bag 40x70mm
2. 100PCS / Big PE bag 240x300mm

5	PCB Board: ZS-10-P-019	Item Number:	30HH-50220	
4	Outer Molding PVC Black	Title:	HDMI A Male to HDM A Female Adapter, 90 Degree	
3	Inner Molding HD-PE	Drawn by:	JL	
2	HDMI 19P Male, Terminal:C5191 Semi-Gold Ting/F, Shell:C2680/SPCC, Full Gold/Nickel, Rubber Core: LCP	Approved by:	MAC	
1	HDMI 19P Female, Terminal:C2680 Semi-Gold Tingg/F, Shell:C2680/SPCC, Full Gold/Nickel, Rubber Core: LCP, with Half Sheath	ID:	1	
No.	Specifications			