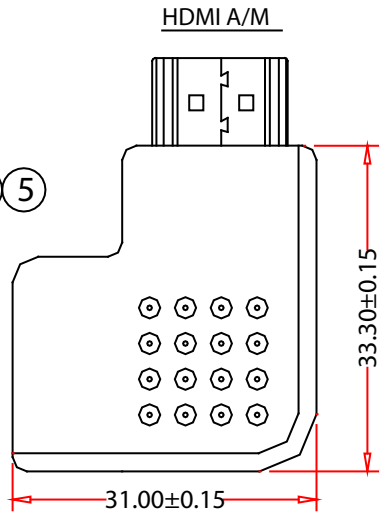
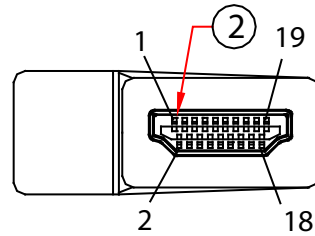
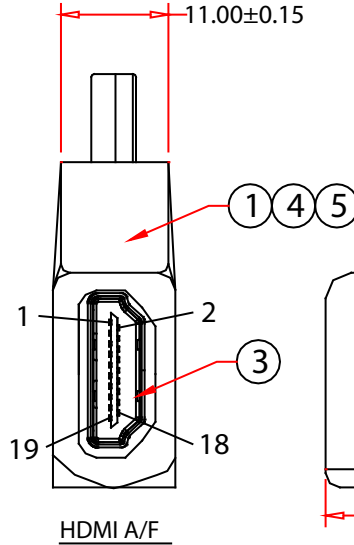
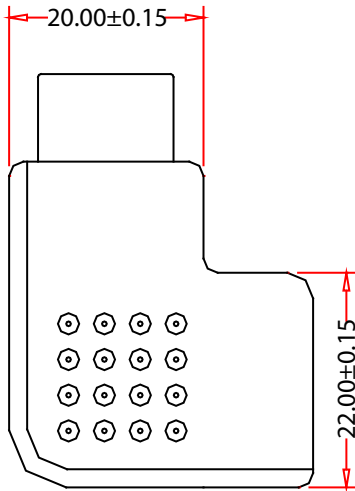


Rev.	Description	Date
A		11-2019

RoHS

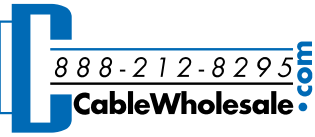
Pin Assignment	
HDMI A/M	HDMI A/F
1	1
2	2
3	3
4	4
5	5
6	6
7	7
8	8
9	9
10	10
11	11
12	12
13	13
14	14
15	15
16	16
17	17
18	18
19	19
Shell	Shell



**Electrical Character**

- 1. Voltage Resistance: 300V DC
- 2. Contact Resistance: 5Ω Max.
- 3. Insulation Resistance: 10M Ω Min.

5	Outer Molding Black Molded PVC
4	Inner Molding HD-PE
3	HDMI 19P Female, Terminal C2680 Semi-Gold Ting/F, Shell C2680 SPCC, Full Gold/ Nickel, Rubber Core LCP, Sheath Full Wrap
2	HDMI 19P Male, Terminal C5191 Semi-Gold Ting/F, Shell C2680 SPCC, Full Gold/ Nickel, Rubber Core LCP
1	HDMI A Male to Female PCBA
No.	Specifications

Item Number:	30HH-50250	
Title:	HDMI High Speed Horizontal 90 Degree Elbow Adapter - Right, HDMI Type-A Male to HDMI Type-A Female, 4K 60Hz, Black	
Drawn by:	JL	 888-212-8295.com
Approved by:	MAC	
ID:	1	