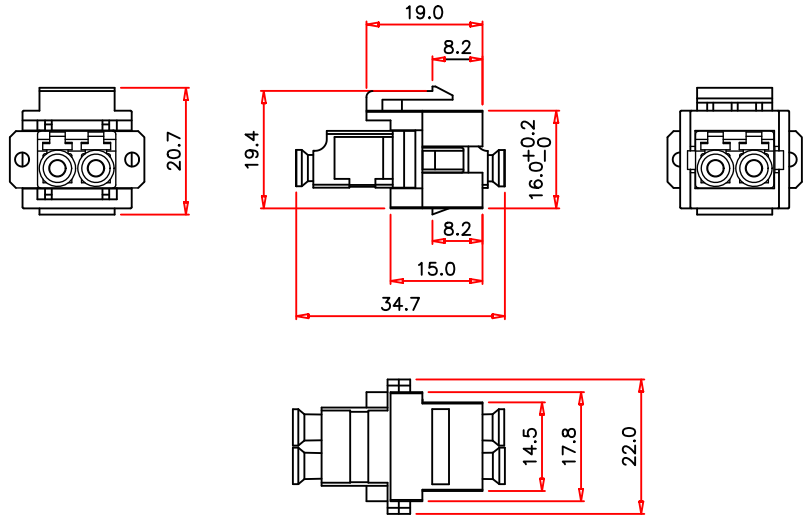
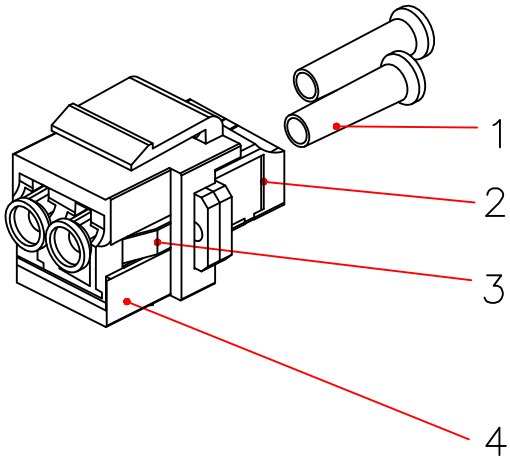


**RoHS**

REV.	DESCRIPTION	DATE
A		01-2015



**Performance:**

1. LC Duplex Type.
2. Durability: 500 Cycles.
3. Tensile Strength: 10 kgf.
4. Insertion Loss: <0.2 dB(Singlemode)/>0.3 dB(Multimode)
5. Operating TEMPERATURE: -20°C to +70°C.
6. Storage Temperature: -40°C to +80°C

4	Insert, ABS, UL 94v-0
3	Clip, Stainless
2	Housing, PC, UL 94V-0
1	Dust Cover, PVC, White Color
NO.	SPECIFICATIONS

ITEM NUMBER	30LC-LC400			DRAWER	JL
TITLE	Keystone, White, LC Fiber Optic Network Coupler			CHECKED	
MATERIAL		SCALE		APPROVED	
REV.	A	UNIT	INCH		
DRAWING NO:				 888-212-8295.com	
ID(NO.)	182				

BOM LIST