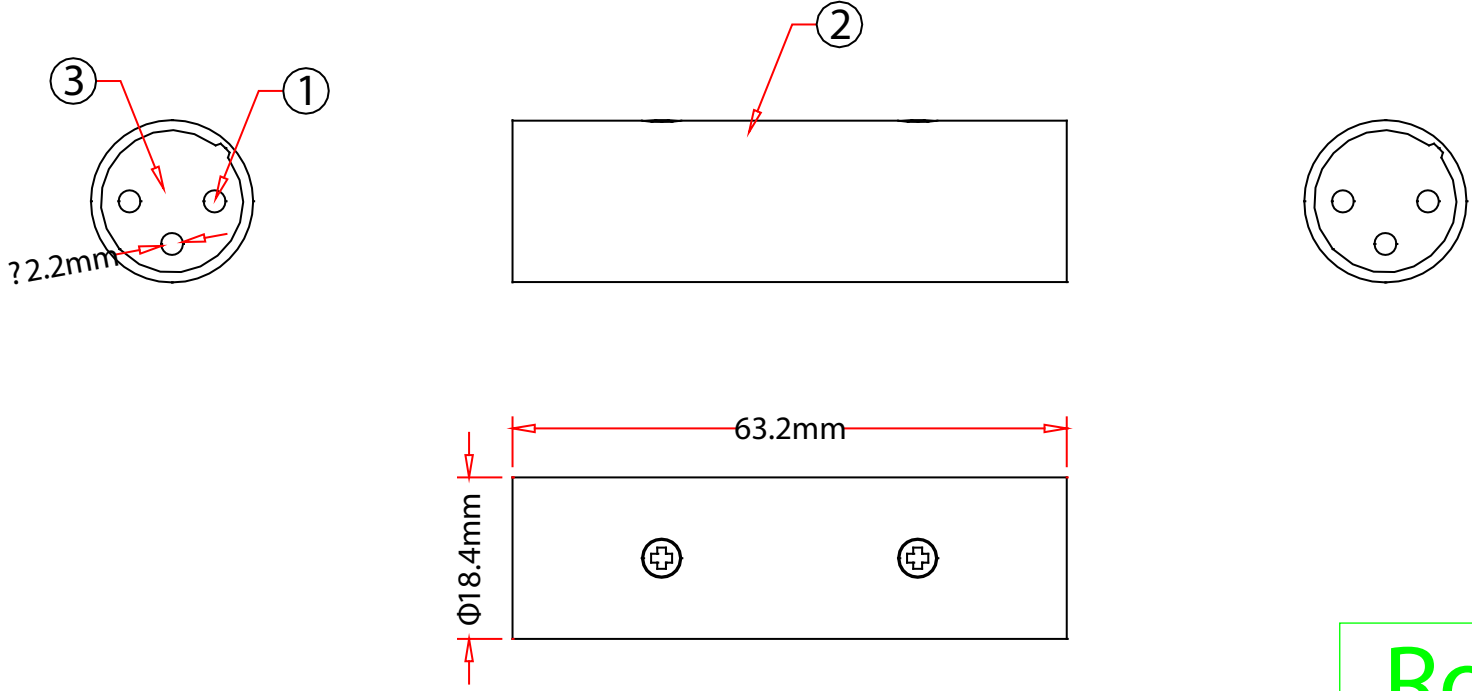
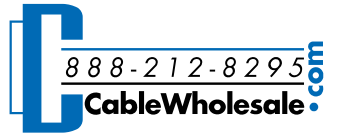


Rev.	Description	Date
A		11-2019



RoHS

		Item Number:	30MC-03100	
		Title:	XLR Coupler / Gender Changer, Metal, XLR Male	
		Drawn by:	JL	
		Approved by:	MAC	
		ID:	18	
No.	Specifications			