

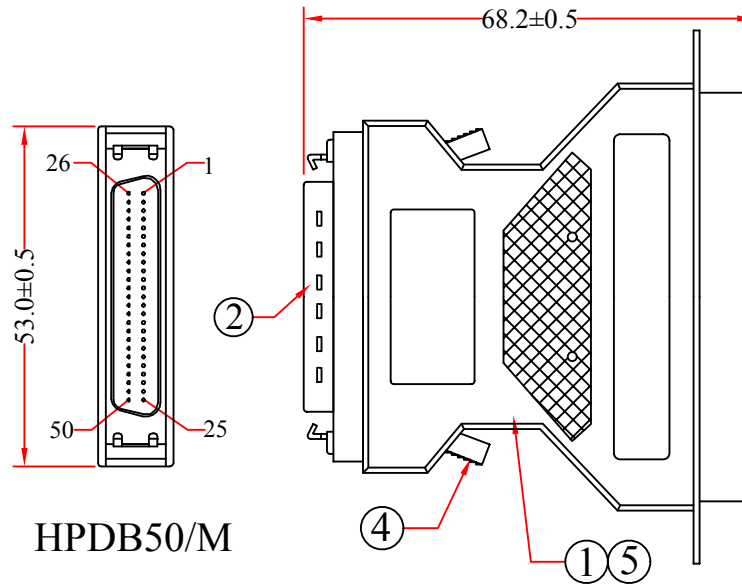
REV.	DESCRIPTION	DATE
A		02-2015

RoHS

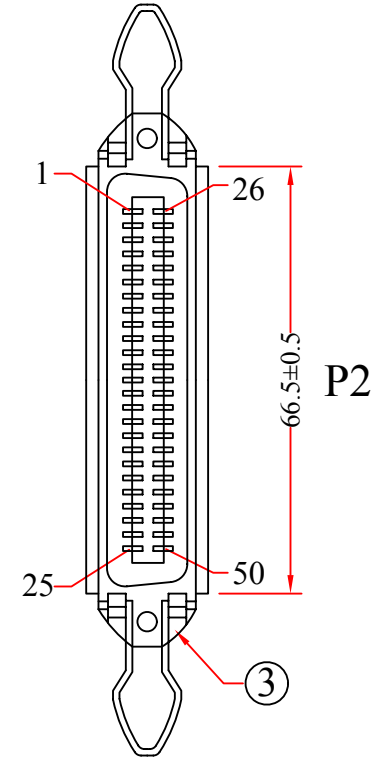
Pin Assignment

P1	P2	P1	P2
1	1	14	14
26	26	39	39
2	2	15	15
27	27	40	40
3	3	16	16
28	28	41	41
4	4	17	17
29	29	42	42
5	5	18	18
30	30	19	19
6	6	20	20
31	31	21	21
7	7	22	22
32	32	23	23
8	8	24	24
33	33	25	25
9	9	26	26
34	34	27	27
10	10	28	28
35	35	29	29
11	11	30	30
36	36	31	31
13	13	32	32
38	38	33	33
		34	34
		35	35
		36	36
		37	37
		38	38
Shield		Shield	

P1



HPDB50/M



CN50/F

NO.	SPECIFICATIONS
	BOM LIST
5	Beige Molded PVC Hood, Fully Shielded w/Copper-Foil
4	Latch, Beige
3	CN50 Female, with 2Pcs Latch, Gold Flash on Contacts, Blue Insulator
2	HPDB50 Male, Gold Flash on Contacts, Black Insulator(0.62)
1	28AWG Wire

ITEM NUMBER	30P1-06200		DRAWER	JL
TITLE	HPDB50 (Half Pitch DB50) Male to Centronics 50 (CN50) Female Adapter		CHECKED	
MATERIAL		SCALE	APPROVED	
REV.	A	UNIT	MM	
DRAWING NO:				
ID(NO.)	1			