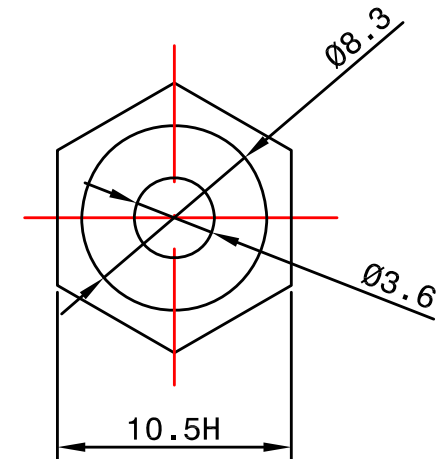
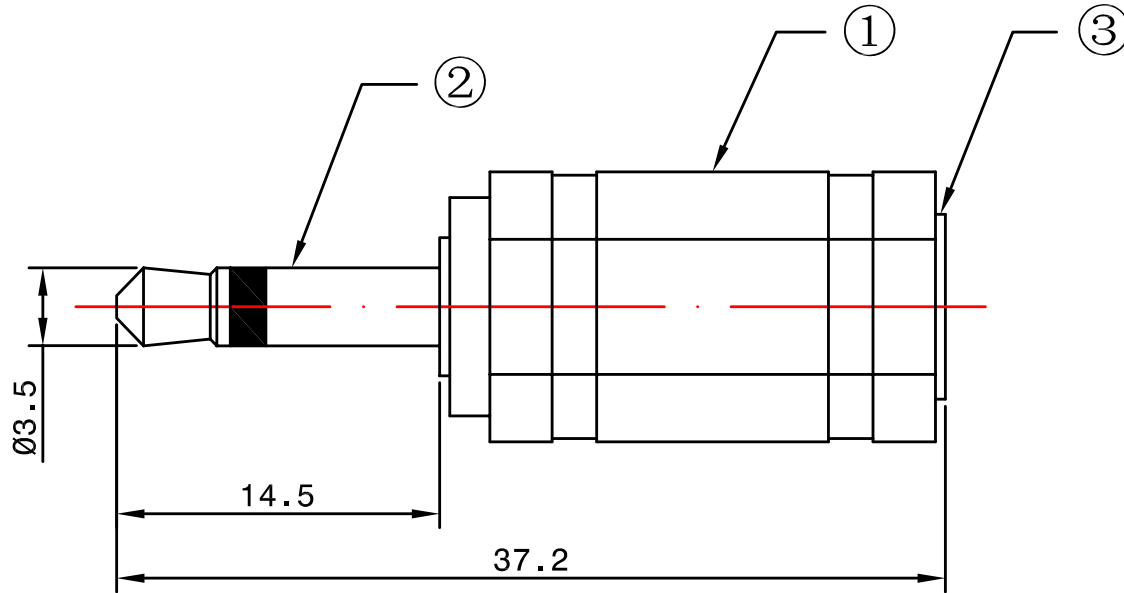
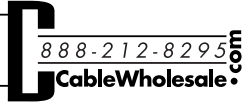


REVISION			
LTR	DESCRIPTION	DATE	APPROVED
A			M. C.



1	PLASTIC SHELL BLACK	1		UNLESS OTHERWISE SPECIFIED: 1. DIMENSIONS ARE IN INCHS 2. TOLERANCES: DECIMALES X.XX ± 0.25 3. DO NOT SCALE DRAWING 4. REMOVE ALL BURRS AND BREAK SHARP EDGES.	CUSTOMER	 888-212-8295 CableWholesale.com		
2	BRASS NICKEL PLATED PLUG	1			R.F.G. NO.			
3	BRASS NICKEL PLATED BODY	1			DRAWN DATE Jacob Macias 6/2/2011			
					CHECKED Michael Capone			
					CUSTOMER APPROVAL	TITLE		
						3.5mm St-Jack to 3.5mm Mn-Plug		
ITEM NO.	MATERIAL / SPECIFICATION	QTY REQD	UNIT		SIZE	DWG NO.	PART NO.	REV
	CABLE ASSEMBLY PARTS LIST						30S1-04300	A
					SCALE: NONE	RELEASE DATE: DATE	SHEET: 1 OF 1	