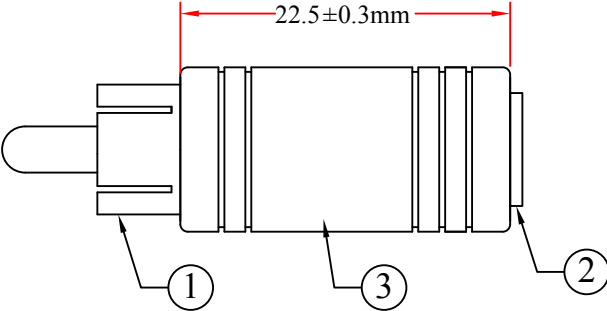
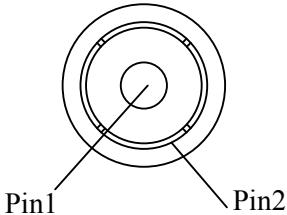


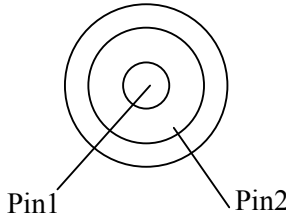
RoHS

REV.	DESCRIPTION	DATE
A		08-2012

P1



P2



Pin Assignment	
P1	P2
1	1
2	2

NOTES:

- 1. Electrical Test:
- (1) 100% Open Short & Miswire Test.
- (2) Insulation Resistance 1 MΩ MIN.

3	Black Molded PVC
2	3.5mm Mono Female
1	RCA Male, Shell: Nickel Plated
NO.	SPECIFICATIONS
BOM LIST	

ITEM NUMBER	30S1-12300	DRAWER	JL
TITLE	Mono to RCA adapter 3.5mm Mono Female / RCA Male	CHECKED	
MATERIAL	SCALE	APPROVED	
REV.	A	UNIT	INCH
DRAWING NO:			