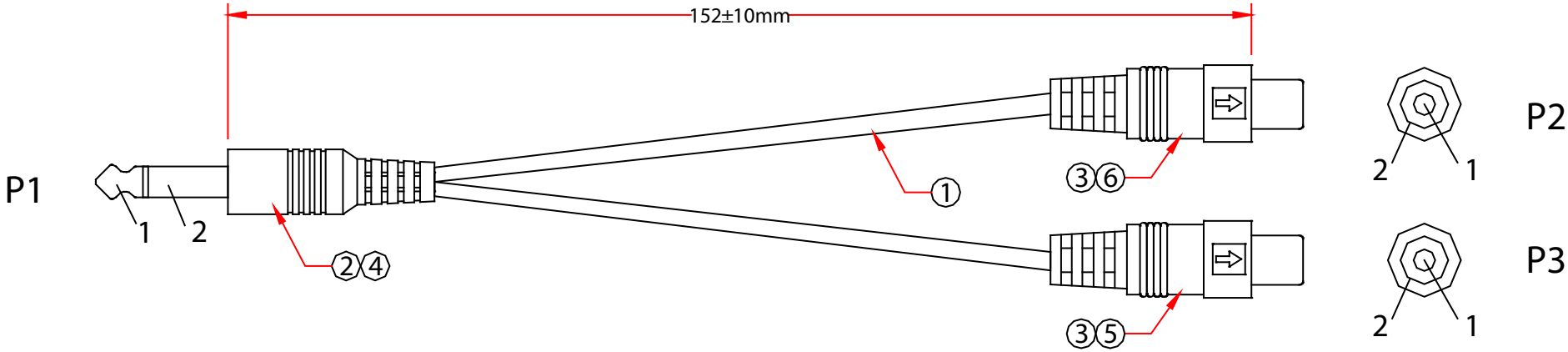


Rev.	Description	Date
A		08-2019



Pin Assignment		
P1	P2	P3
1	1	1
2	2	2

NOTES:

- 1.Electrical Test:
 (1)100% Open Short & Miswire Test.
 (2) Insulation Resistance 1 MΩ MIN.



6	White Molded PVC	Item Number:	30S1-16260
5	Red Molded PVC	Title:	1/4" Mono to RCA Y-cable adapter, 1/4" Mono Male / 2 RCA Female, 6in
4	Black Molded PVC	Drawn by:	JL
3	RCA Female, Nickel Plated	Approved by:	MAC
2	1/4" Mono Male, Nickel Plated	ID:	106
1	UL1185 26AWG*1C+Spiral, OD: 2.50±0.10mm, Black PVC Jacket		
No.	Specifications		