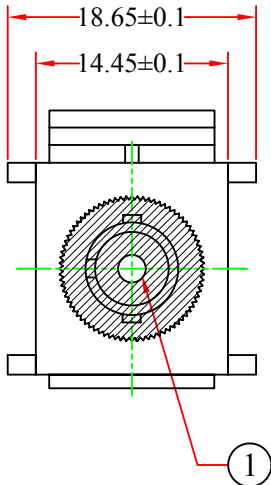
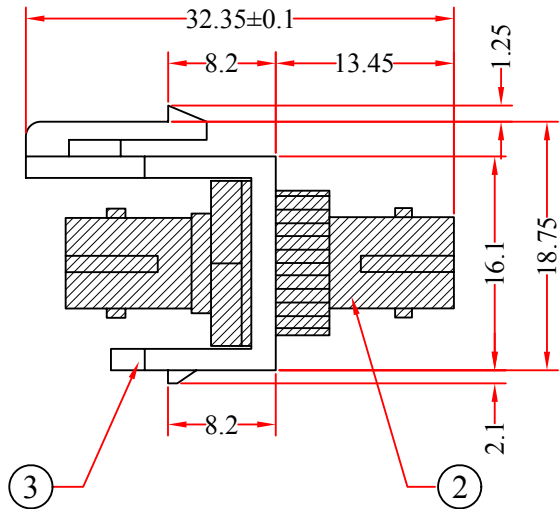
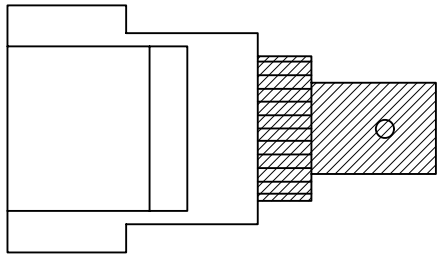


REV.	DESCRIPTION	DATE
A		01-2014

RoHS



NO.	SPECIFICATIONS
3	Housing, ABS UL 94V-0
2	ST Connector, Zinc Die-Casting, with Nickel Plated
1	ST Sleeve, Phosphor Bronze, Multimode
BOM LIST	

ITEM NUMBER	30ST-ST400			DRAWER	JL
TITLE	Keystone ST Fiber Optic Network Coupler			CHECKED	
MATERIAL		SCALE		APPROVED	
REV.	A	UNIT	MM		
DRAWING NO:				 888-212-8295.com CableWholesale.com	