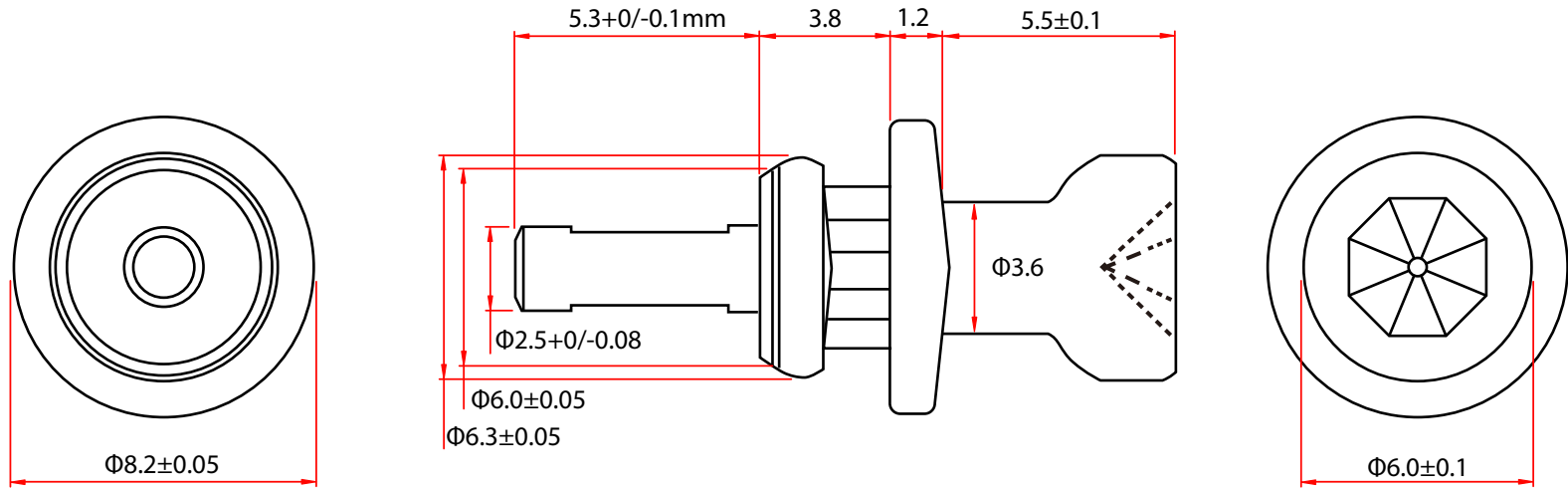
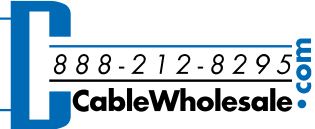


Rev.	Description	Date
A		10-2018



RoHS

Item Number:	30TT-01050	
Title:	Toslink Lite Cap, 50 pieces	
Drawn by:	JL	
Approved by:	MAC	
ID:		

No.	Specifications
-----	----------------