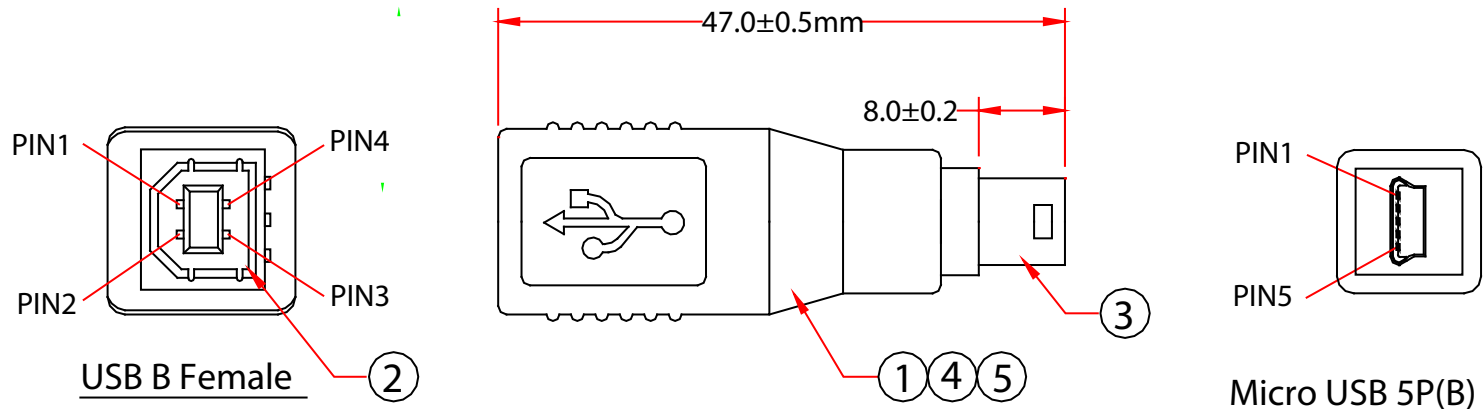


Rev.	Description	Date
A		10-2022



Pin Assignment		
USB B/F		Mini B/M
1	—————	1
2	—————	2
3	—————	3
4	—————	5
Shell	—————	Shell

RoHS

5	Molded PVC Black	Item Number:	30U1-08310	
4	Molded PE Color Transparent ,Fully Shielded w/AL-Foil	Title:	USB B Female to USB Mini-B 5 Pin Male Adapter	
3	Mini USB 5P(B) Male, Gold Flash on Contacts, Black Insulation, Solder Four Pieces Type	Drawn by:	JL	
2	USB 4P(B) Female, Gold Flash on Contacts, White Insulation	Approved by:	MAC	
1	UL1007 30AWG*1C, OD:1.1mm, Color White, Length 25mm	ID:	1	
No.	Specifications			