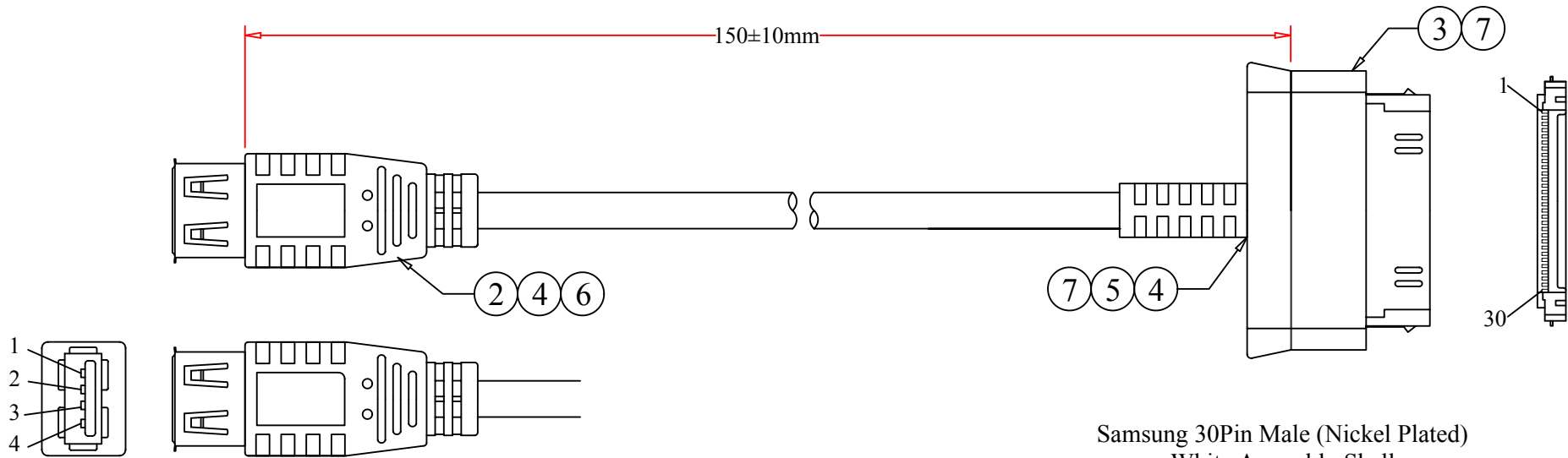


REV.	DESCRIPTION	DATE
A		04-2015



USB AF (Nickel Plated)

Samsung 30Pin Male (Nickel Plated)  
White Assembly Shell

RoHS

7	Samsung 30Pin White Assembly Shell	ITEM NUMBER	30U2-21400		DRAWER	JL
6	PE		TITLE	USB OTG Adapter, OTG USB Samsung 30 pin Male to USB Type A Female, USB On The Go		CHECKED
5	Resistance: 8W 20KΩ 1%	4		MATERIAL	SCALE	APPROVED
4	White PVC 45P		UNIT		INCH	
3	Samsung 30Pin Male (Black Insulator, Nickel Plated)	REV.	A	DRAWING NO:		
2	USB AF (White Insulation, Nickel Plated)					
1	UL2725, 2.0 Ver., 28#*2C+AL+D+B(AM), OD=3.5mm, White PVC Jacket	ID(NO.)	19			
NO.	SPECIFICATIONS					
BOM LIST						