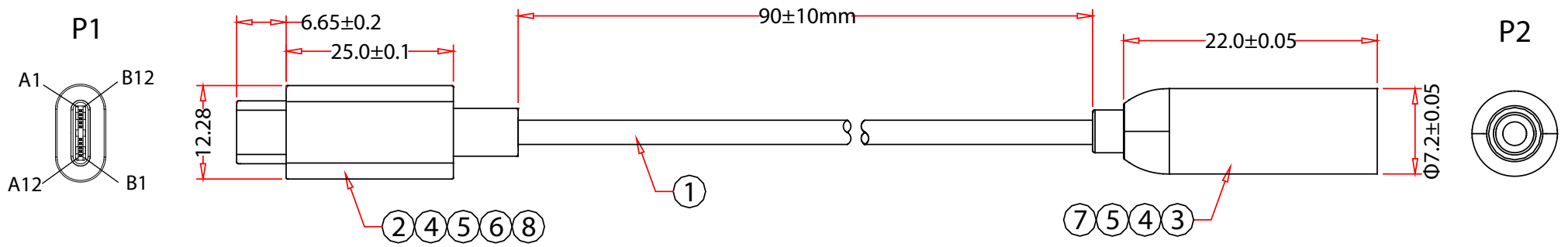


Rev.	Description	Date
A		11-2022

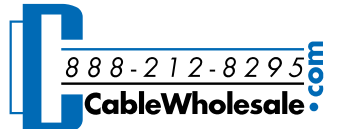


Pin Assignment			
P1		P2	
L	Red	1	
R	White	2	
MIC	Yellow	3	
GND	Spiral	4	

Electrical Test:
1. 100% Real Machine Test.

RoHS

8	a ABS shell for Type C , Color:Whith
7	a ABS shell for DC3.5 , Color:Whith
6	Type- C Male Connector , The tinplate nickel plated
5	Inside Molding Transparent Polymide resin
4	Outside Molding 45P TPE Color: White
3	Stereo 3.5 Female Connector, Insulation Black, Copper spiral Nickel Plated, Shell of ABS
2	UTC-A01 Type-C Connector, Shell Nickel Plated with PCBA
1	NON-UL 34AWG(7/0.06TC)*3C+Spiral,OD:2.0mm, TPE 90P Color: White,Semi-Matte, No Marking
No.	Specifications

Item Number:	30U2-35000	
Title:	USB Type-C Plug to DC3.5 Female Cable, Black	
Drawn by:	JL	
Approved by:	MAC	
ID:	1	