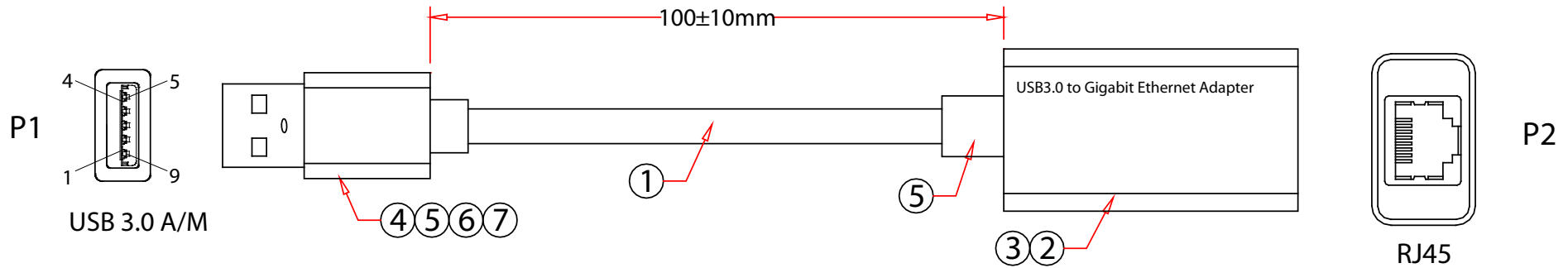


Rev.	Description	Date
A		02-2021



Pin Assignment	
P1	P2
1	A4
2	A7
3	A6
4	A1
5	B10
6	B11
7	GND
8	A3
9	A2
Shell	Shell(GND)

Marking: Exxxxxx AWM STYLE 2725 80°C 30V VW-1
SUPER HIGH SPEED USB Revision 3.0 C1

NOTES:

1. Electrical Test:
(1) 100% Real Machine Test.

RoHS

7	USB 3.0 AM Connector the Tinplate	Item Number:	30U3-31000
6	Transparent PE		
5	45P PVC ,White Color	Title:	USB 3.0 to RJ45 10/100/1000 Gigabit Ethernet Adapter
4	USB 3.0 AM, Connector Black Insulation		
3	USB 3.0 to Gigabit Ethernet Adapter, ABS Cover, White Color	Drawn by:	JL
2	USB 3.0 to Gigabit Ethernet Adapter, With PCB, Shell Nickel Plated		
1	USB3.0 [30AWG(7/0.10TC+EAM)*2P+[30AWG(7/0.10TC)+AL]*1P+28AWG(7/0.127TC)*2C +AEB(16/5/010TC 65%), OD: 4.5±0.15mm,White Outer PVC Jacket	Approved by:	MAC
No.	Specifications		
		ID:	1

