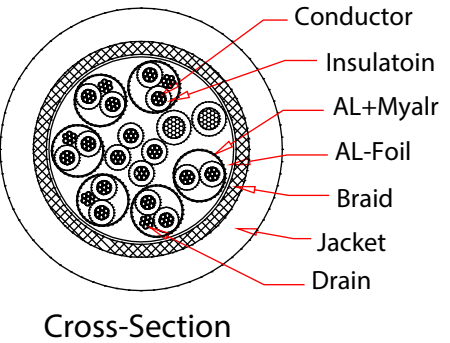
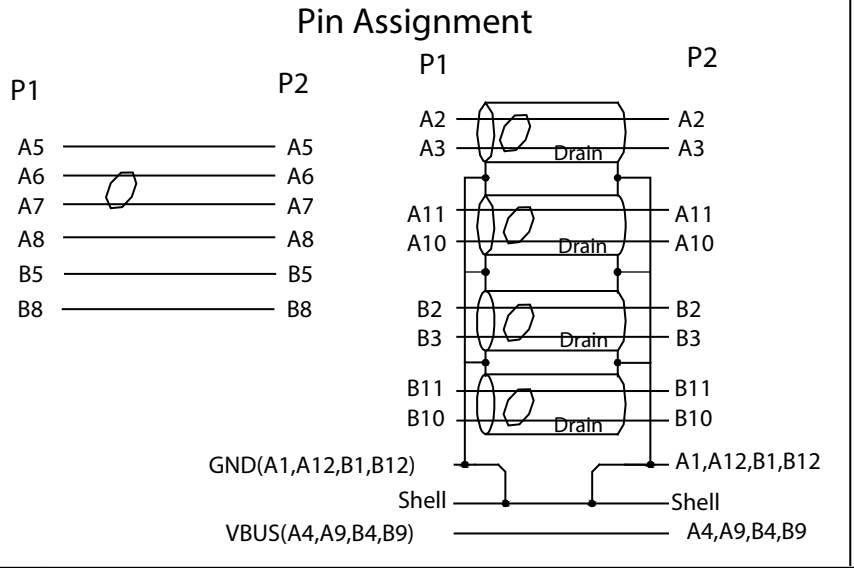
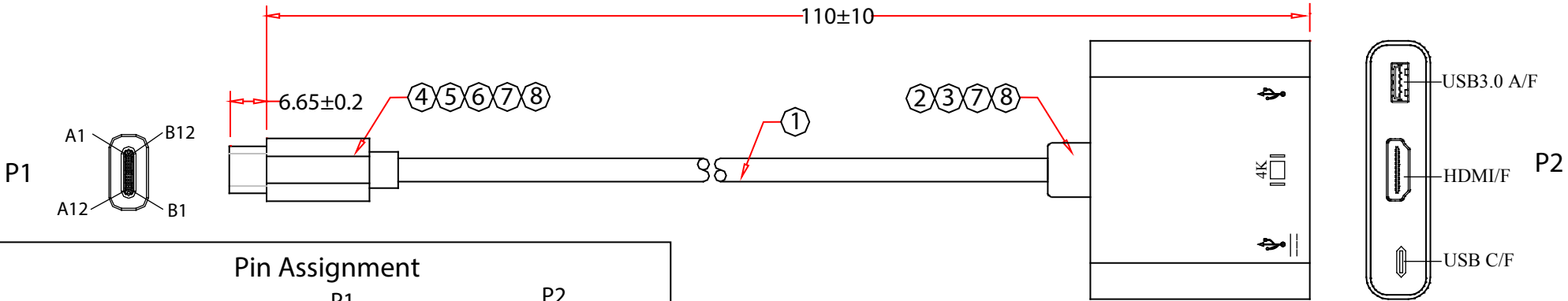


Rev.	Description	Date
A		03-2019



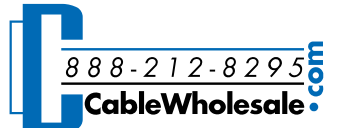
RoHS

**Electrical Test:**

- 100% Test (Open, Short, Miss Wire)
- Contact Resistance: 2 ohm Max.
- Insulation Resistance: 10M ohm Min.
- Hi-Pot: 300VDC/10ms.

Supported Maximum Resolution 4K/30Hz

8	Molded 45P PVC White
7	Transparent PE
6	USB3.1 Type C Tinplate Shell Nickel Plated
5	USB3.1 Type C ABS Shell, Color:White
4	USB3.1 C Type Connector With PCBA, Shell Nickel Plated
3	UTC-CUFH05 ABS Shell Color: White
2	UTC-CUFH05 with PCB
1	USB 3.1 [34AWG(7/0.06TC)+EAM]*4P+34AWG(7/0.06TC)*1P+34AWG(7/0.06TC)*4C+28AWG(7/0.12TC)*2C+AB(16/9/0.06TC 75% Coverage), OD: 3.9±0.2mm, White PVC Jacket
No.	Specifications

Item Number:	30U3-33000	
Title:	USB-C 3.1, 3-in-1 Mini Dock, 4k HDMI @ 30Hz, USB 3.0 Type-A, & USB-C Charge Port	
Drawn by:	JL	
Approved by:	MAC	
ID:	1	