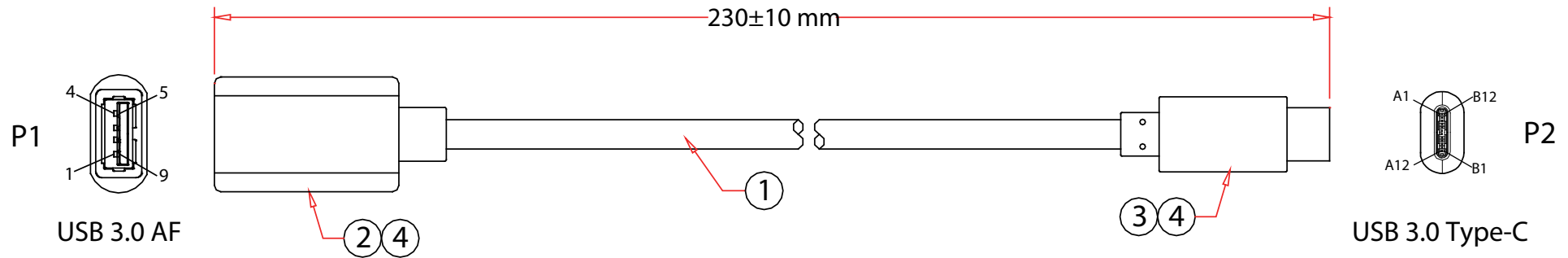
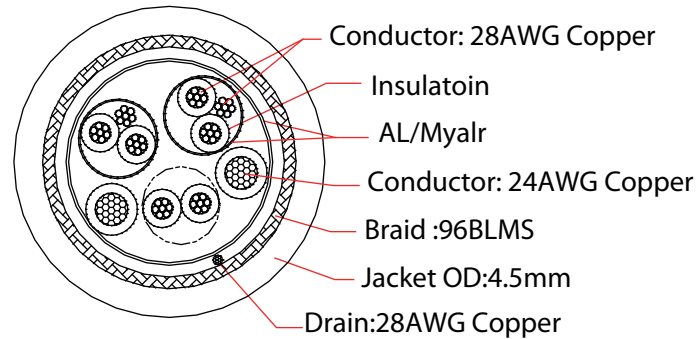


Rev.	Description	Date
A		11-2022



Pin Assignment	
P1	P2
1 — Red	A5
2 — White	A4, B4, A9, B9
3 — Green	A7
4 — Braid	A6
5 — Blue	A1, B1, A12, B12
6 — Yellow	A3
7 — Drain	A2
8 — Purple	A1, B1, A12, B12
9 — Orange	B10
Shell — Braid	B11
	Shell

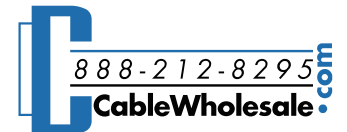


Cross-Section



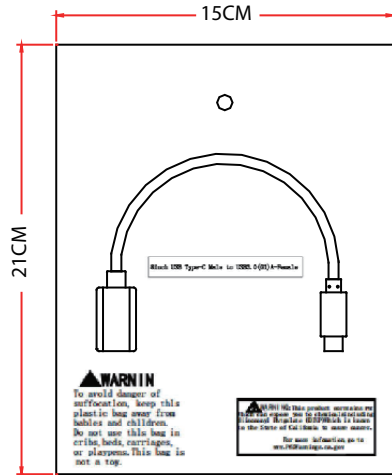
- Electrical Character:
- 1) 100% Open/Short/Intermittent testing
  - 2) Withstanding Voltage: AC 150V
  - 3) Insulation Resistance: 10M Ohm
  - 4) Conductive Resistance: 20 Ohm

5	Identification RoHS	Item Number:	30U3-36280
4	Outer Molding PVC 45P Black	Title:	8 Inch USB Type C Male to USB3.0 (G1) A-Female Cable
3	USB3.1 C Type Male, Sterch Shell		
2	USB3.0 A Type Female, Solder Type, Blue Insulation, Shell Nickel Plated	Drawn by:	JL
1	(1P*30AWG+D+AL+MY)*2C+1P*30AWG+2C*24AWG+AL+D+B, OD:4.5mm, PVC Black	Approved by:	MAC
No.	Specifications	ID:	108

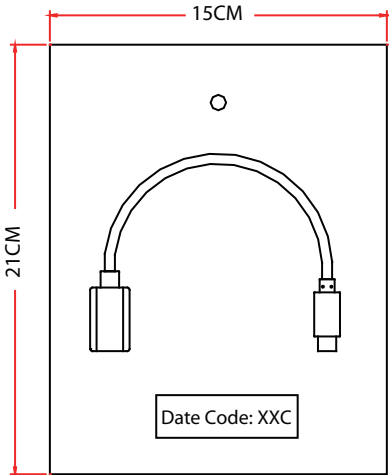


Rev.	Description	Date
A		11-2022

Front Side:



Beind Side:



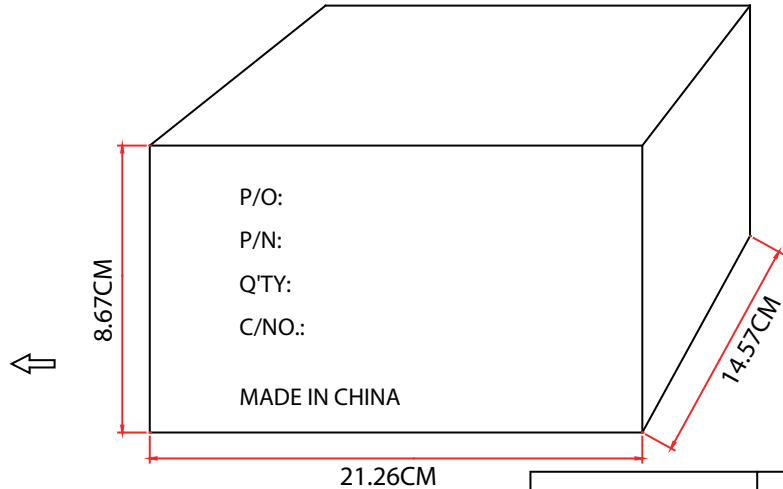
- 1. Bag Material: Poly Ethylene
- 2. Print Content

RoHS

Notes:  
Carton Weight: 48.4 lbs

Main Mark:

P/O:  
P/N: 150197  
Q'TY: 500 PCS  
C/NO.: Dxxx  
  
MADE IN CHINA



Side Mark:

RoHS  
Compliant

P/N: 150197  
Q'TY: 500 PCS  
N.W.: 9.0 KGS  
G.W.: 9.8 KGS  
Date Code: XX-XXX  
Vender Code: PS00523

Item Number:	30U3-36280	
Title:	8 Inch USB Type C Male to USB3.0 (G1) A-Female Cable	
Drawn by:	JL	
Approved by:	MAC	
ID:	108	

No.	Specifications
-----	----------------