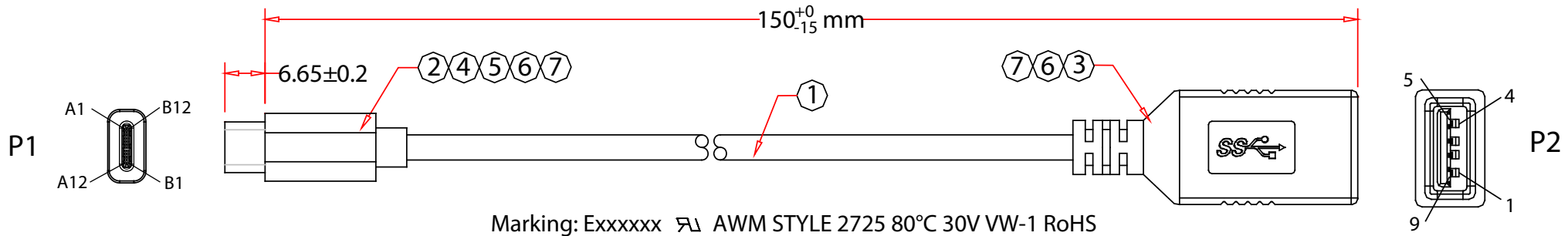
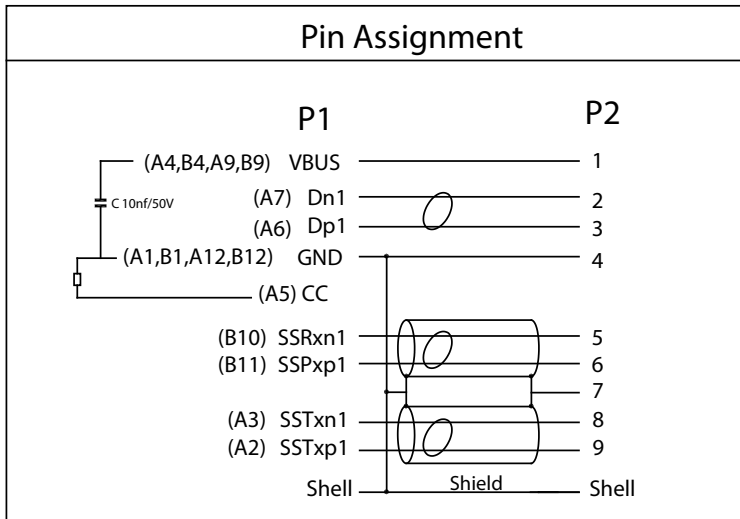


Rev.	Description	Date
A		05-2021



Marking: Exxxxxx \varnothing AWM STYLE 2725 80°C 30V VW-1 RoHS



Electrical Test:

1. 100%Test(Open. Short, Miss Wire)
2. Contact Resistance: 2 ohm Max.
3. Insulation Resistance: 10M ohm Min.
4. Hi-Pot: DC 300V/10ms.

Notice:

1. Speed up to 5Gbps.
2. Power Output up to 3Amp.



7	Outside Molding 45P PVC Black
6	Inside Molding Transparent PE
5	Copper Foil : W=3mm 25u
4	USB Type C the Tinplate
3	USB3.1 Type C Female Connector, Shell Nickel Plated
2	USB3.1 Type C Male Connector, With PCBA(Resistance 5.1KΩ)
1	USB 3.1[30AWG(7/0.10TC)*2C+EAM]*2+[30AWG(7/0.06TC)+AL]*1P+24AWG(26/0.10TC)*1C+A2EB(16/8/0.10TC 85% Coverage), OD: 4.5±0.2mm, Black PVC Jacket
No.	Specifications

Item Number:	30U3-36290	
Title:	6 inch USB Type C Male to USB3.0 (G1) A-Female Cable	
Drawn by:	JL	
Approved by:	MAC	
ID:	156	