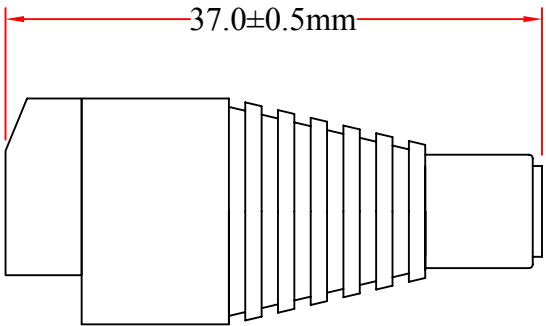
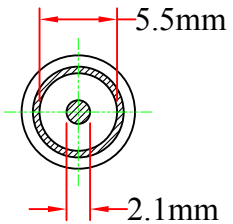
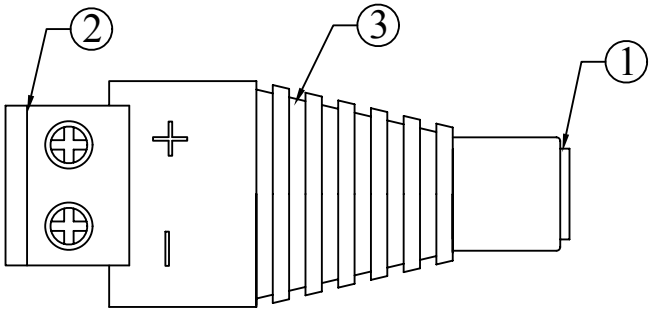


REV.	DESCRIPTION	DATE
A		04-2013



RoHS



Notes  
Rated: 12V / 3A (VA)

ITEM NUMBER	30W1-00210			DRAWER	JL
TITLE	DC Female Power Plug to 2 Pin Terminal (Screw Down) Adapter			CHECKED	
				APPROVED	
MATERIAL		SCALE			
REV.	A	UNIT	INCH		
DRAWING NO:					

NO.	SPECIFICATIONS
3	Black Molded PVC
2	2 Pin Terminal
1	DC Jack 5.5*2.1mm,Shell Nickel Plated
BOM LIST	