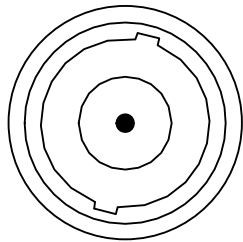
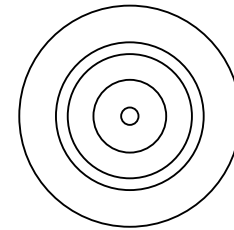
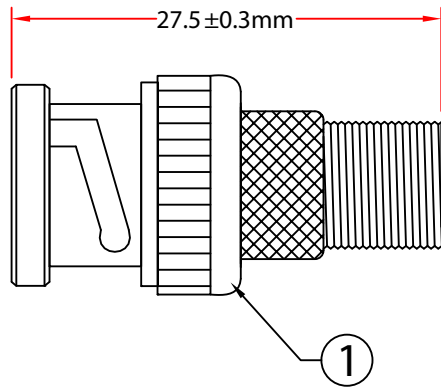


REV.	DESCRIPTION	DATE
A		05-2012

RoHS



BNC Male



F-Pin Female

3	
2	
1	F-Pin Female to BNC Male ,Shell: Nickel Plated
NO.	SPECIFICATIONS
BOM LIST	

ITEM NUMBER	30X3-03100			DRAWER	JL
TITLE	F-Pin Female / BNC Male Adapter			CHECKED	
				APPROVED	
MATERIAL		SCALE			
REV.	A	UNIT	INCH		
DRAWING NO:				 888-212-8295.com CableWholesale.com	