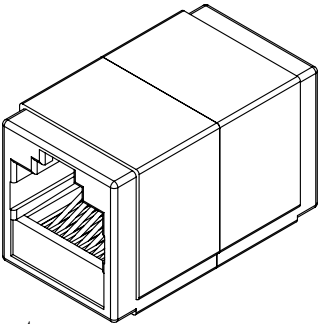
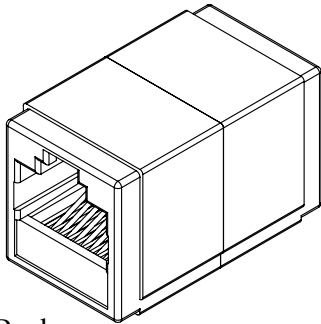


REV.	DESCRIPTION	DATE
A		05-2012

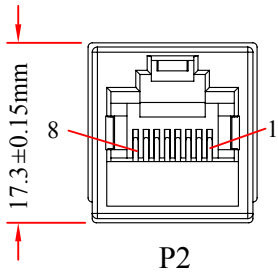
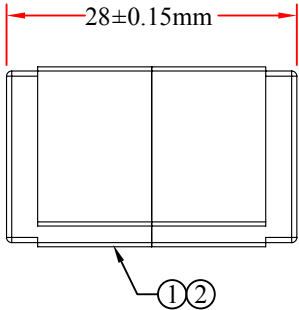
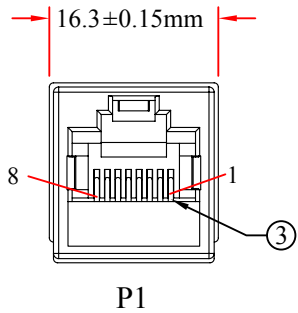
RoHS



Front

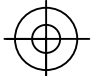
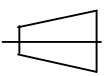
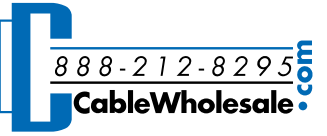


Back



Pin Assignment	
P1	P2
1	1
2	2
3	3
4	4
5	5
6	6
7	7
8	8

PART NO.	CABLE LENGTH
30X6-02400BK	Black
30X6-02400WH	White

ITEM NUMBER	30X6-02400xx		DRAWER	JL
TITLE	CAT5E (RJ45) Female / Female Inline Unshielded Coupler		CHECKED	
MATERIAL	SCALE		APPROVED	
REV.	A	UNIT	INCH	 
DRAWING NO:				

3	RJ45 Jack, 50u Gold Plated Contacts
2	UL94V-0 Approval PCB
1	UL94V-0 Approval ABS Body
NO.	SPECIFICATIONS
	BOM LIST