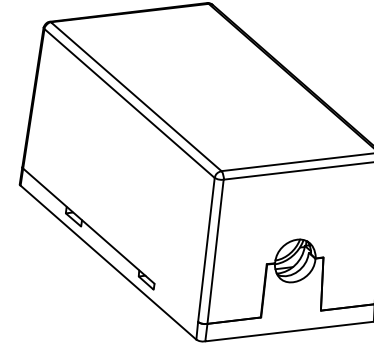
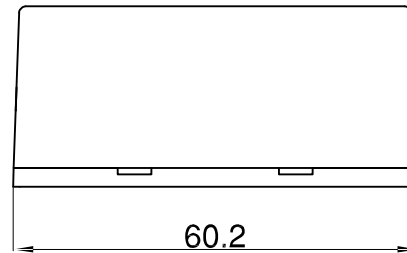
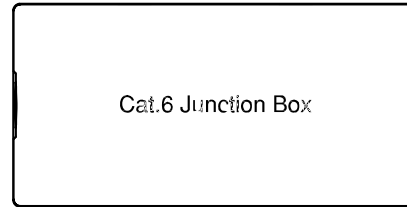
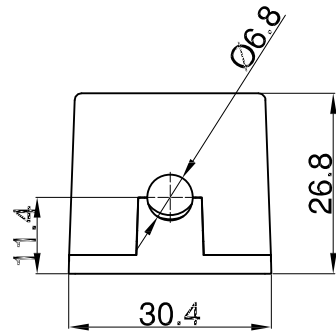
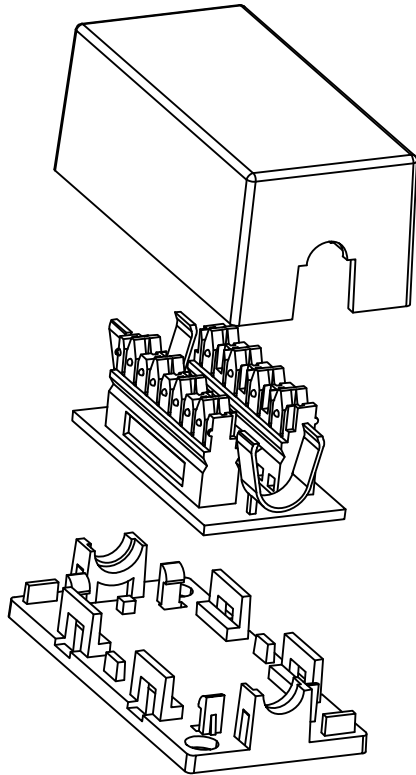
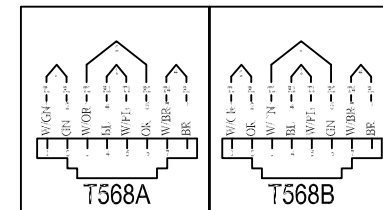


RoHS

REV.	DESCRIPTION	DATE
A		10-2017



PIN/PAIR ASSIGNMENTS



SPECIFICATION

1. Connector: 110 Connector---Body: PC UL94V-0.
Contact: Phosphor Bronze with Tin plated.
2. P.C.Board: FR4, 1.6mm Double side.
3. Operation Temperature : -10° C to 60° C.

ITEM NUMBER	30x8-11100		DRAWER	JL
TITLE	Cat.6 Unshielded Inline Coupler Junction Box		CHECKED	
			APPROVED	
MATERIAL		SCALE		
REV.	A	UNIT		INCH
DRAWING NO:			 888-212-8295.com CableWholesale.com	
ID(NO.)	108			

NO.	SPECIFICATIONS
	BOM LIST