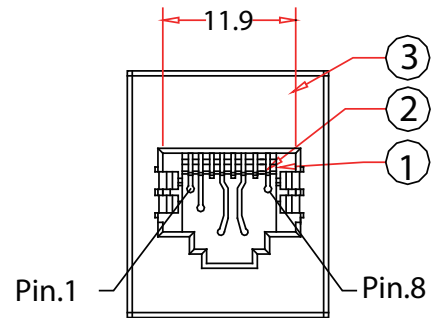
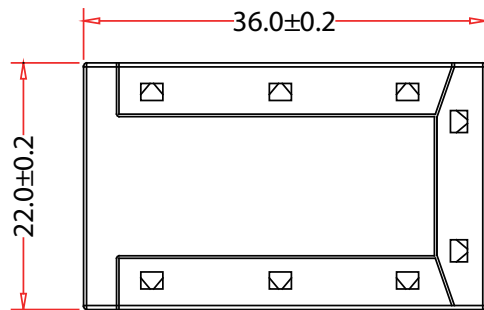
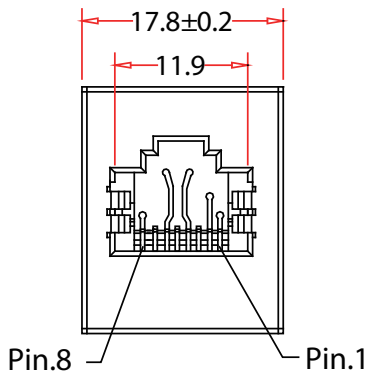
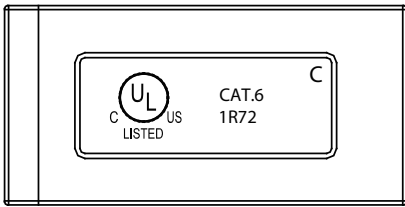


Rev.	Description	Date
A		05-2021

**Specification**

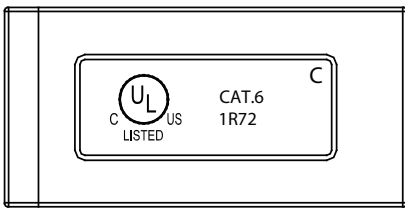
**Material:**

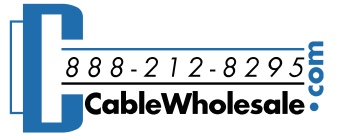
- 1. RJ45 Jack
  - 1-1. Housing: ABS, UL 94V-0, with Black Color
  - 1-2. Contact Bracket: PC, UL 94V-2, Transparent Color
- 2. RJ45 Jack Contact
  - 2-1. Material: Phosphor Bronze with Nickel Plated
  - 2-2. Finish: 50 micro-inch Gold Plated on Plug Contact area.
- 3. RJ45 Jack Shield: Bronze with Nickel Plated
- 4. PCB: FR4, UL 94V-0



**Performance:**

- 1. Insertion Force: 30N max. (IEC 60603-7-5)
- 2. Retention Strength: 7.7 Kg Between Jack and Plug
- 3. Operation Temperature: -10 °C to 60 °C (ISO/IEC 11801, ANSI/TIA/EIA 568 C.2)
- 4. Life(Mating Cycles) Jack: 750 cycles min. (ISO/IEC 11801, IEC 60603-7-5)
- 5. The CAT.6 Transmission Performance is in Compliance with the ANSI/TIA/EIA 568 C.2 Standard.



Item Number:	30X8-52200	
Title:	Shielded Cat6 In-Line Coupler	
Drawn by:	JL	
Approved by:	MAC	
ID:	1	

No.	Specifications
-----	----------------