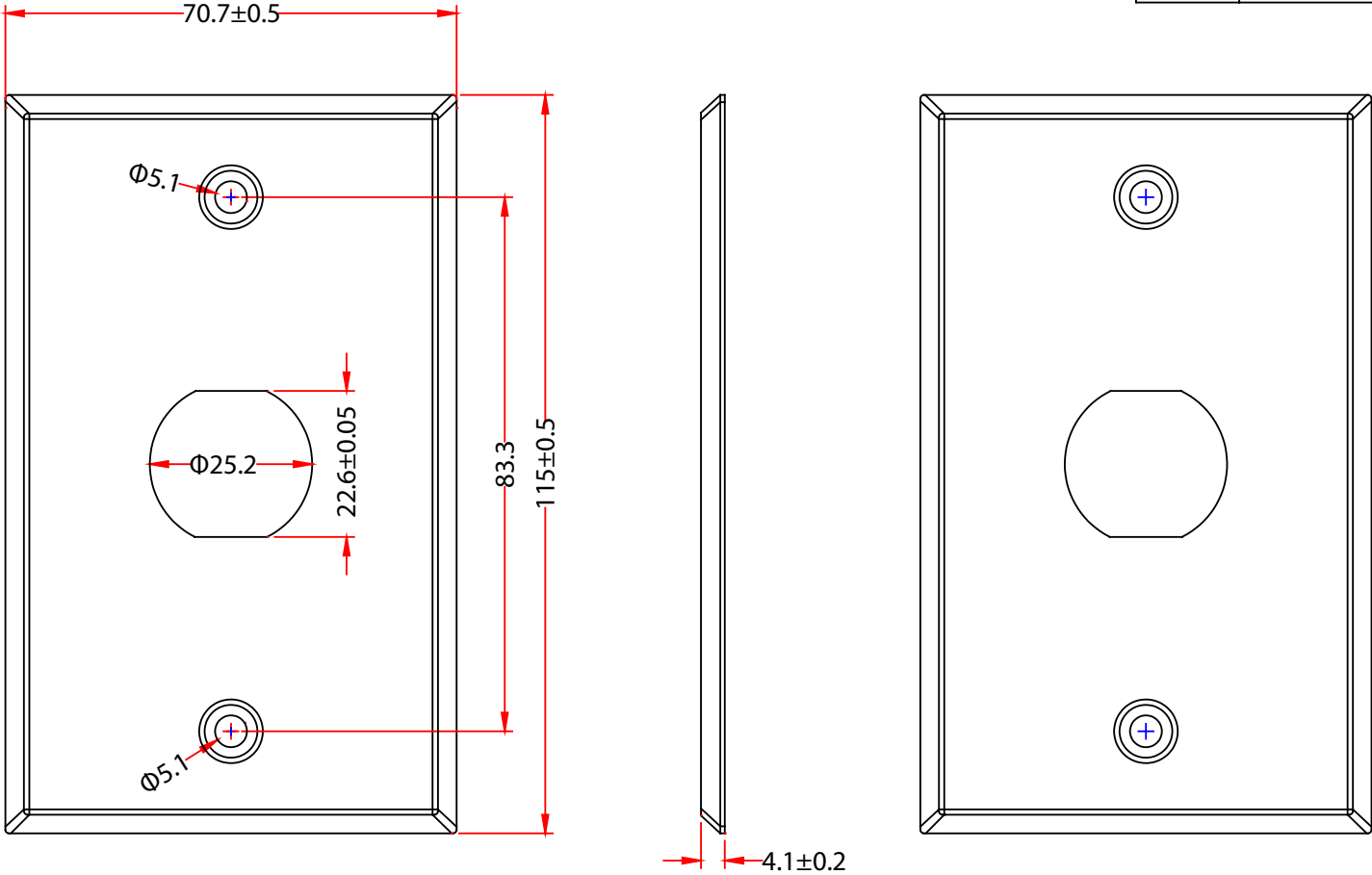


Rev.	Description	Date
A		09-2018



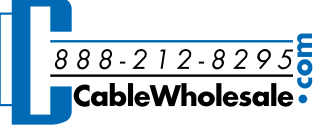
RoHS

Material

Shiled Frame: SUS430
Back Gasket: Rubber

Enclosure

Rubber Ring x 2 Pcs
Backup Ring x 1 Pcs

Item Number:	30X8-71001	
Title:	Outdoor Wall Plate w/ Water Seal, Stainless Steel , 1 Port, Single Gang	
Drawn by:	JL	
Approved by:	MAC	
ID:	108	

No.	Specifications
-----	----------------