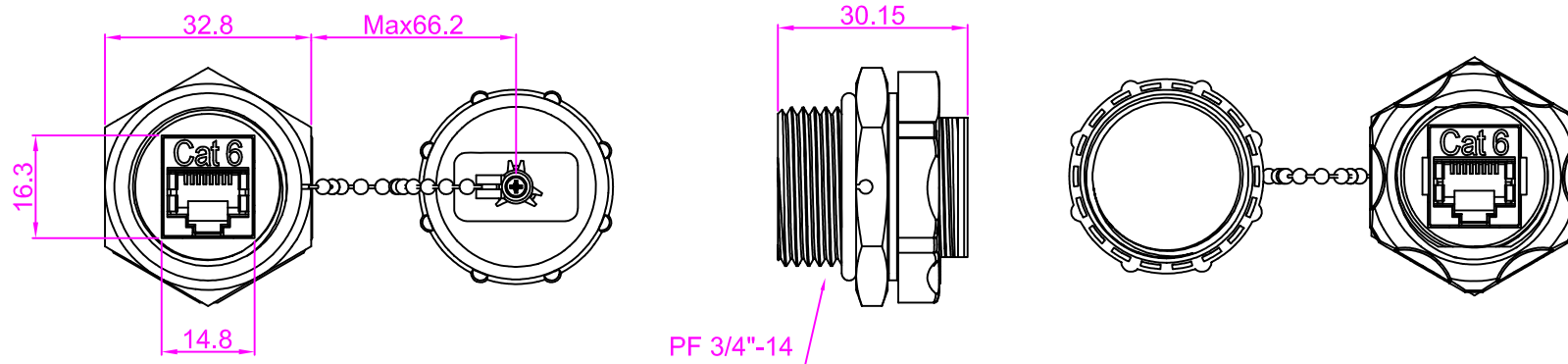
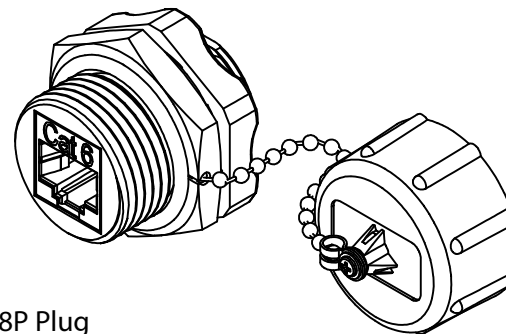


Rev.	Description	Date
A		09-2018



Material

Main Body: PBT +GF, UL94V-0
 Shielded Case: Brass, Nickel Plated.
 Coupler Housing: ABS, UL 94V-0
 Spring Wire: Phosphor Bronze 50u" Gold Plated



According to: ANSI/TIA-568-C.2
 ISO/IEC 11801 2nd Edition
 IEC 60603-7

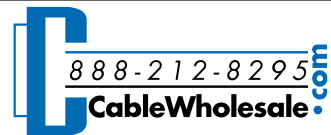


Physical Characteristics

Insertion Life: 750 Mating Cycles with FCC Compliant 8P Plug
 Contact Force: 100 Grams with FCC Compliant 8P Plug
 Plug Retention Force: 11 LBF Min.
 Operating Temperature Range : -40 °C to 60 °C
 Storage Temperature Range : -40 °C to 68 °C
 Humidity: 10%~90%RH.

Electrical

Insulation Resistance: 500 MΩ
 Dielectric Withstanding Voltage: 1000V AC
 DC Current Rating: 1.5 Amps
 DC Resistance: 0.1 Ω
 Contact Resistance: 20mΩ

Item Number:	30X8-72000	
Title:	Shielded Outdoor Waterproof Cat6 Coupler, RJ45 Female to Female, With Cap, Wall Plate Mount	
Drawn by:	JL	
Approved by:	MAC	
ID:	108	

No.	Specifications
-----	----------------