

Rev.	Description	Date
A		09-2018

RoHS

Material

Main Body& Dust Cap: PBT +GF, UL94V-0
 Shielded Case: Brass, Nickel Plated.
 Keystone Jack Housing: PC ,UL 94V-0
 Spring Wire: Phosphor Bronze 50u" Gold Plated
 IDC Plastic: PC ,UL 94V-0
 IDC Contact: Phosphor Bronze, Tin Over Nickel Undercoat

Physical Characteristics

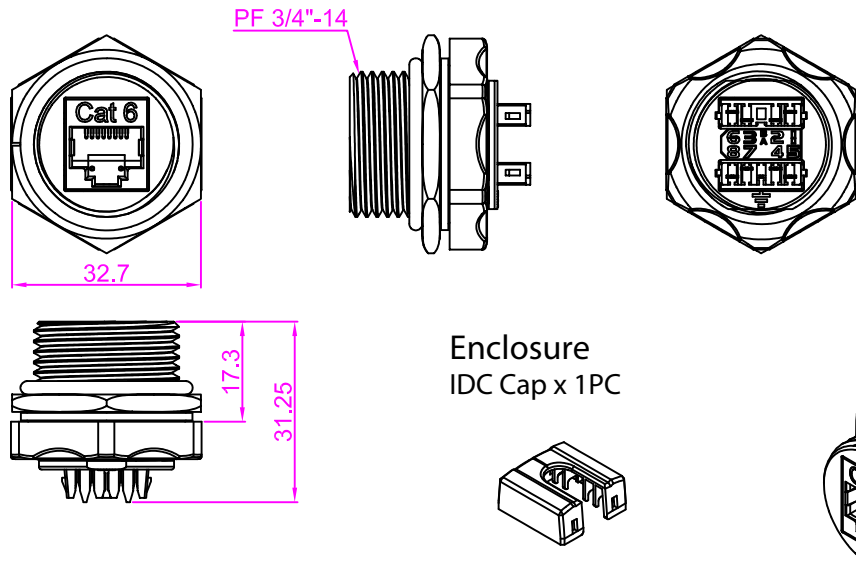
Suitable Impact Tool: 110 Style Punch Down Tool
 Insertion Life: 750 Mating Cycles with FCC Compliant 8P Plug
 Contact Force: 100 Grams with FCC Compliant 8P Plug
 Plug Retention Force: 11 LBF Min.
 Contact Compatibility: Accommodates 22 to 24 AWG Solid
 Operating Temperature Range : -40 °C to 60 °C
 Storage Temperature Range : -40 °C to 68 °C
 Humidity: 10%~90%RH.

Electrical

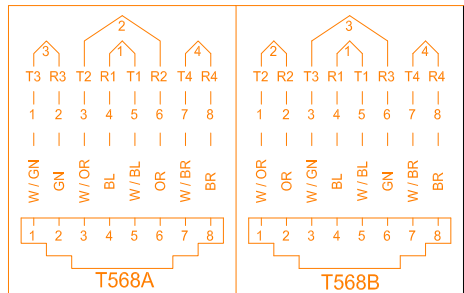
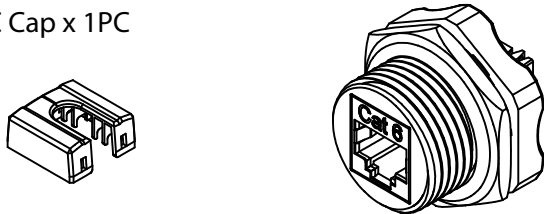
Insulation Resistance: 500 MΩ
 Dielectric Withstanding Voltage: 1000V AC
 DC Current Rating: 1.5 Amps
 DC Resistance: 0.1 Ω
 Contact Resistance: 20mΩ

Note

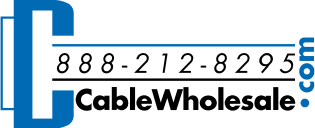
Will Not Support Channel Shorter Than 15m
 Only Accept RJ45 8P8C Plug



Enclosure
 IDC Cap x 1PC



According to: ANSI/TIA-568-C.2
 ISO/IEC 11801 2nd Edition
 IEC 60603-7

Item Number:	30X8-73000	
Title:	Shielded Outdoor Waterproof Cat6 Jack, RJ45 Female to 110 Punch Down, Wall Plate Mount	
Drawn by:	JL	
Approved by:	MAC	
ID:	108	

No.	Specifications
-----	----------------