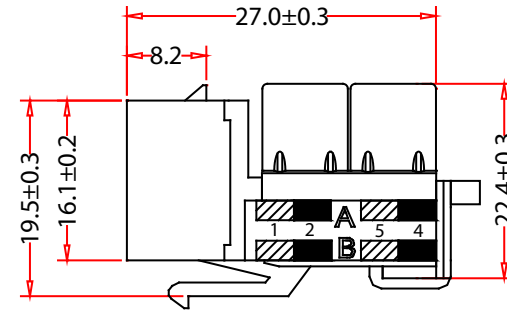
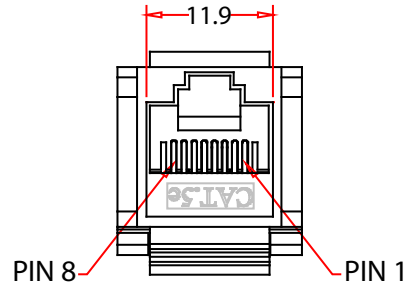


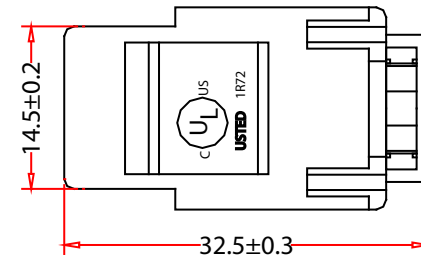
Rev.	Description	Date
A		01-2021



RoHS

Materials:

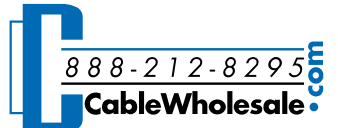
1. RJ45 Jack:
 - 1.1 Housing: ABS+PC, UL 94V-0, with Optional Color.
 - 1.2 RJ45 Jack Bracket Set: PBT+ Glass Fiber, UL 94V-0
2. RJ45 Jack Contact:
 - 2.1 Material: Phosphor Bronze with Nickel Plated
 - 2.2 Finish: 50 micro-inch Gold Plated on Plug Contact area.
3. IDC
 - 3.1 Housing: PC+Glass Fiber, UL 94V-2
 - 3.2 Terminal: Phosphor Bronze with 50 micro-inch Tin Plated
4. IDC CAP: ABS, UL-94-HB
5. IDC Bracket: ABS, UL 94V-0
6. PCB: FR4, UL 94V-0



Performance:

1. T568A & 568B Wiring Sticker
2. Insertion Force: 20N max.(IEC 60603-7-4)
3. Retention Strength: 7.7 kg Between Jack and Plug
4. Operating Temperature: -10°C to 60°C. (ISO/IEC 11801,ANSI/TIA/EIA 568 B.2)
5. Life(Mating Cycles)
 - a. Jack: 750 Cycles min.(ISO/IEC 11801,IEC 60603-7-4)
 - b. IDC: Suitable for 22-26AWG Stranded and Solid Wire,
Compatible with Both 110 & Krone Punch Down Tools.
6. The CAT.5e Ttransmission Petformance is in Compliance with the ANSI/TIA/EIA 568 B.2 Standard

PART NO.	COLORS
310-121GR	Green
310-121IV	Ivory
310-121RD	Red
310-121BL	Blue
310-121OR	Orange
310-121WH	White

Item Number:	310-121xx	
Title:	Cat5e Keystone Jack, RJ45 Female to 110 Punch Down	
Drawn by:	JL	
Approved by:	MAC	
ID:	1	

No.	Specifications
-----	----------------