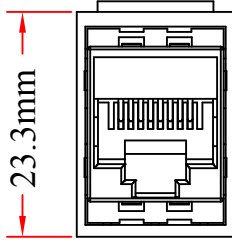
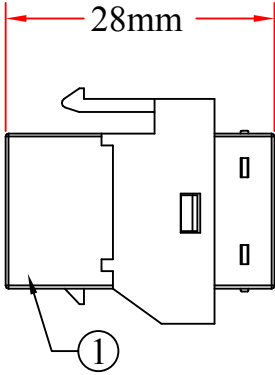
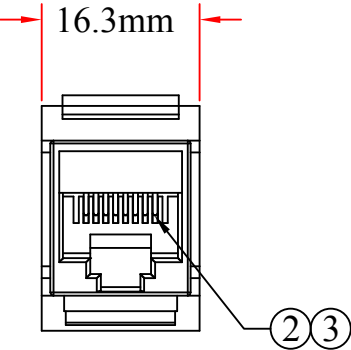
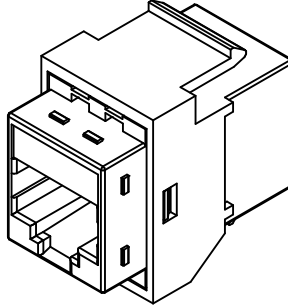
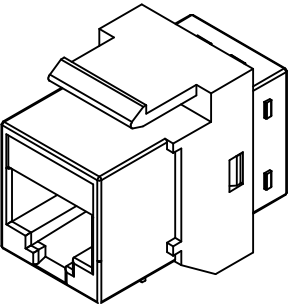


REV.	DESCRIPTION	DATE
A		08-2012
B		

RoHS
Compliant



Performance:

Meets Cat.5e EIA/TIA 568B.1 Standard

Electrical Specification:

- Insulation Resistance:500M ohms(min.)
- Contact Resistance:20M ohms(max.)
- Current Rating:1.5Amps
- DC Resistance:0.1 ohm(max.)
- Withstanding Voltage:1000 VAC RMS@60Hz/1min.

Mechanical Specification:

- RJ45 Jack Insertion Cycle:Over 2000 Cycles(min.)
- Operation Temperature:-40 to 70 degree

PART NO.	COLOR
310-220BK	Black
310-220WH	White

ITEM NUMBER	310-220xx		DRAWER	JL
TITLE	CAT5E, RJ45 Inline Keystone Coupler, Black & White		CHECKED	
MATERIAL	SCALE		APPROVED	
REV.	A	UNIT	INCH	

3	RJ45 Jack, 8P8C 50 Micro Inches,Gold Plated
2	UL94V-0 Approval PCB
1	UL94V-0 Approval ABS Body
NO.	SPECIFICATIONS
BOM LIST	

DRAWING NO:

888-212-8295

CableWholesale.com