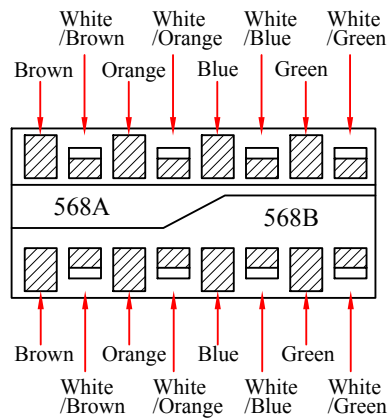
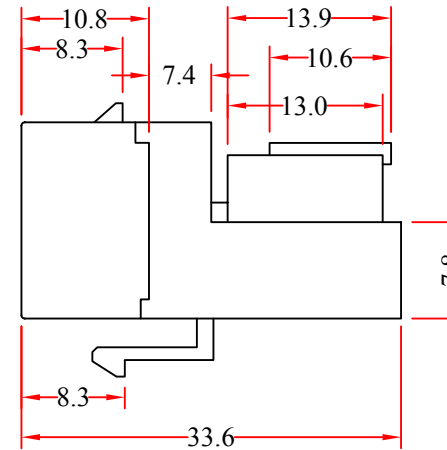
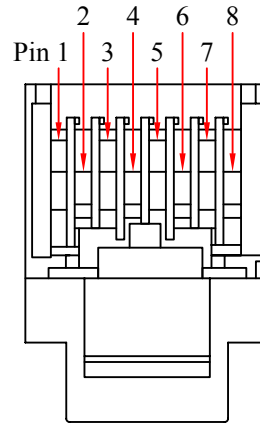
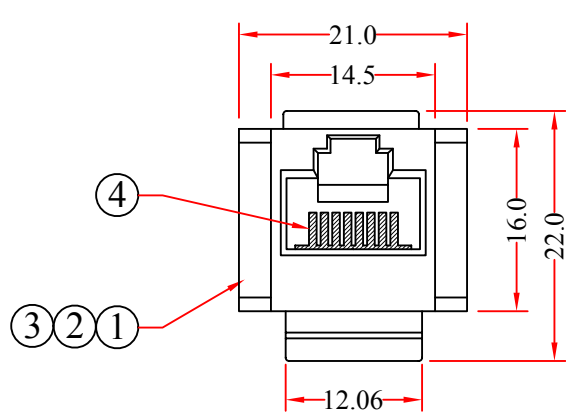


REV.	DESCRIPTION	DATE
A		03-2013



**Notes:**

Operation Temperature:- 40°C to + 80°C

Durability: 500 Cycles

Voltage Range: AC 150V Max

Tool: Toolless EIA/TIA 568A & B

RoHS

PART NO.	COLOR
311-120BK	Black
311-120BL	Blue
311-120GR	Green
311-120IV	Ivory
311-120OR	Orange
311-120RD	Red
311-120WH	White
311-120YL	Yellow

ITEM NUMBER	311-120xx			DRAWER	JL
TITLE	Cat5e Keystone Jack, Toolless, RJ45 Female			CHECKED	
MATERIAL		SCALE		APPROVED	
REV.	A	UNIT	MM		
DRAWING NO:				 888-212-8295.com	

4	Unshielded RJ45 Keystone, Pin 50u" Gold Plated
3	Key Lock, ABS UL 94V-0
2	PCB, FR4 1.6mm 2 Layer
1	Body, ABS UL 94V-0
NO.	SPECIFICATIONS

BOM LIST