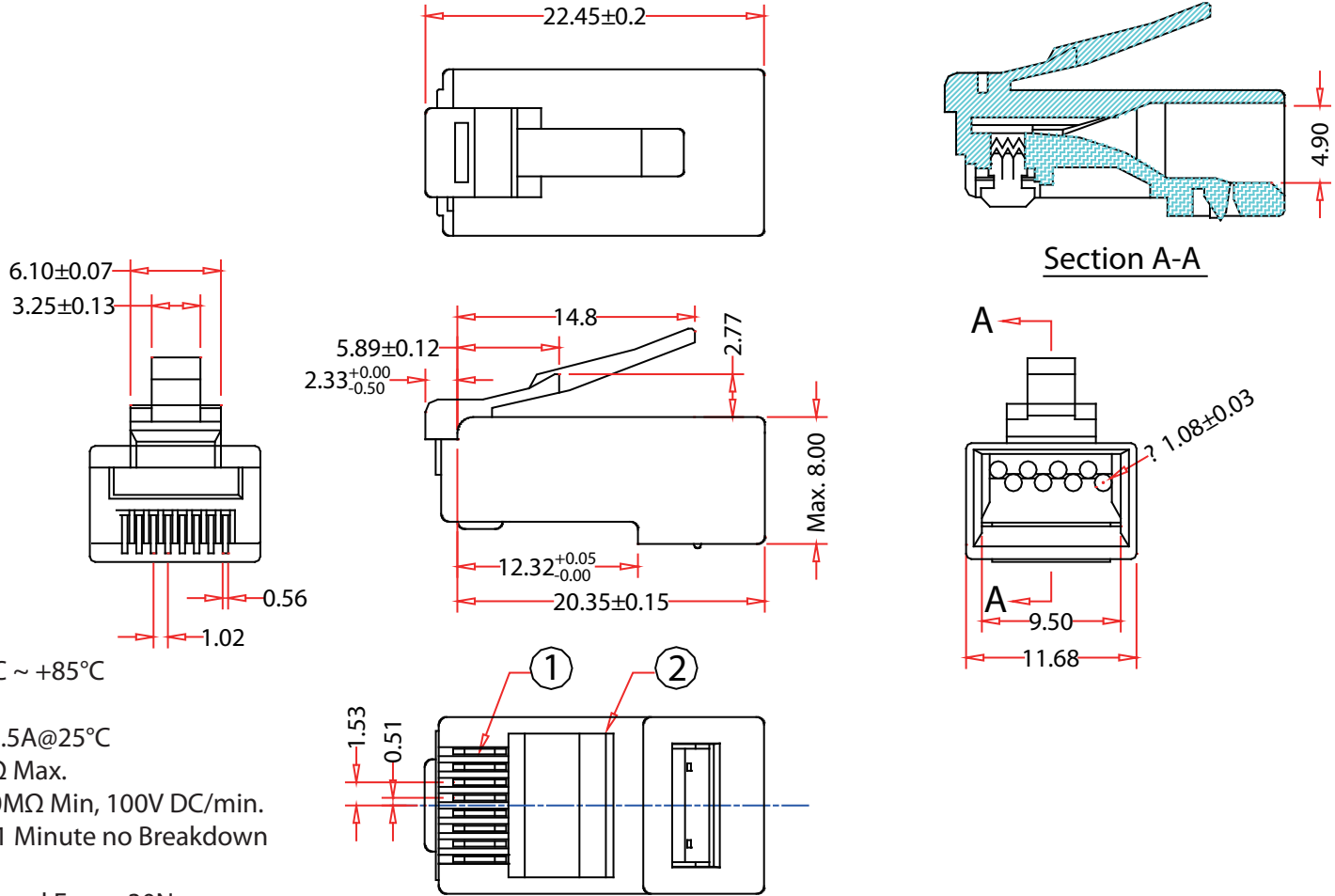


RoHS

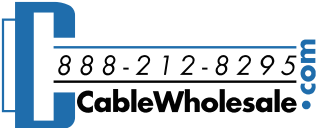
Rev.	Description	Date
A		04-2021



Notes:

1. Operation Temperature: -40 °C ~ +85°C
2. Electrical Characteristics:
 - 2.1> Rated Current: 125V AC, 1.5A@25°C
 - 2.2> Contact Resistance: 20mΩ Max.
 - 2.3> Insulation Resistance: 500MΩ Min, 100V DC/min.
 - 2.4> Voltage Proof: 1000V AC/1 Minute no Breakdown
3. Mechanical Characteristics:
 - 3.1> Insertion Force & Withdrawal Force: 30N max.
 - 3.2> Durability: 750 Cycles Min.
4. Environmental Compliance:
 - 4.1> The Products are Compliant with the RoHS, and REACH etc.

No.	Specifications
3	
2	Contact, Phosphor Copper , Gold Plated 50u", 3 Prongs
1	RJ45(8P8C)Plug Body, Material: PC UL94V-2, Color:Transparence

Item Number:	31D0-511HD	
Title:	Cat5e RJ45 Crimp Connectors for Solid and Stranded Cable, 8P8C, 100 Pieces	
Drawn by:	JL	
Approved by:	MAC	
ID:	1	