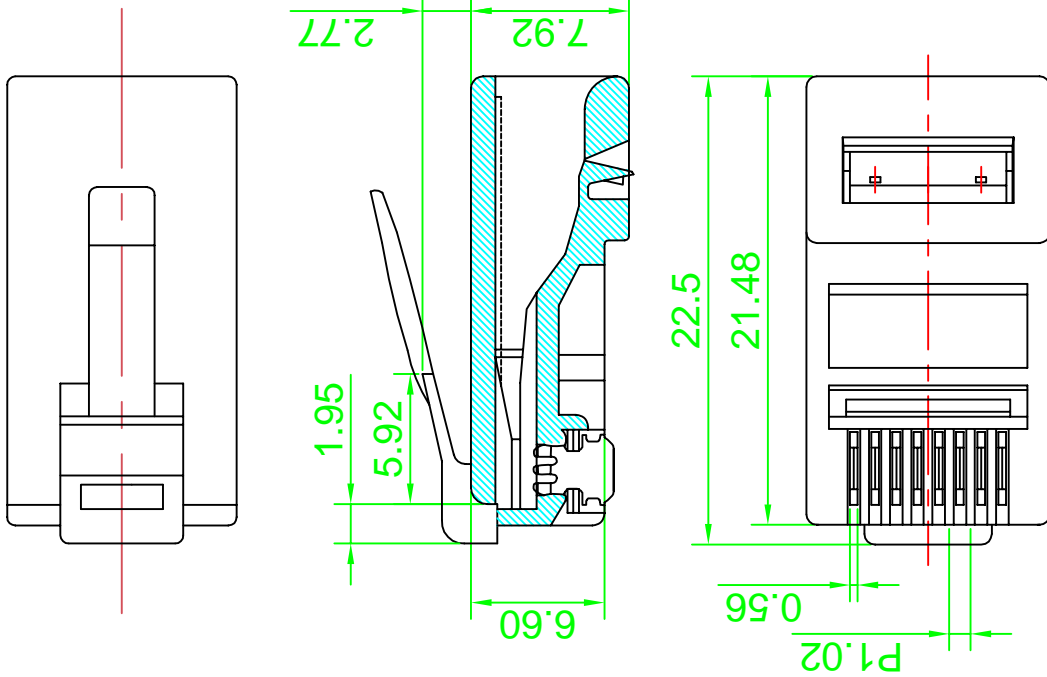


REVISION		
LTR	DESCRIPTION	DATE
A	New Release	02/06/12
		APPROVED
		M. C.



CUSTOMER		UNIT		TITLE	
R.F.G. NO.	mm	888-212-8295	1:1	CableWholesale	
DRAWN	DATE	Backer	02/06/12	CAT6 Crimp Connectors for Solid and Stranded Cable	
CHECKED		Michael Capone		SIZE	DWG NO.
CUSTOMER APPROVAL	Unless otherwise stated		Tolerances	31D0-580HD	PART NO.
	mm XXX.XX ±0.3		angular ±2°	31D0-580HD	31D0-580HD
	mm XXX.XX ±0.2		X.XX ±0.1	SCALE: NONE	RELEASE DATE:
					DATE
					SHEET: 1 OF 1
ITEM NO.	MATERIAL / SPECIFICATION	QTY REQD	UNIT	CABLE ASSEMBLY PARTS LIST	